

TXA2401 24-INCH HEALTHCARE ALL-IN-ONE PC

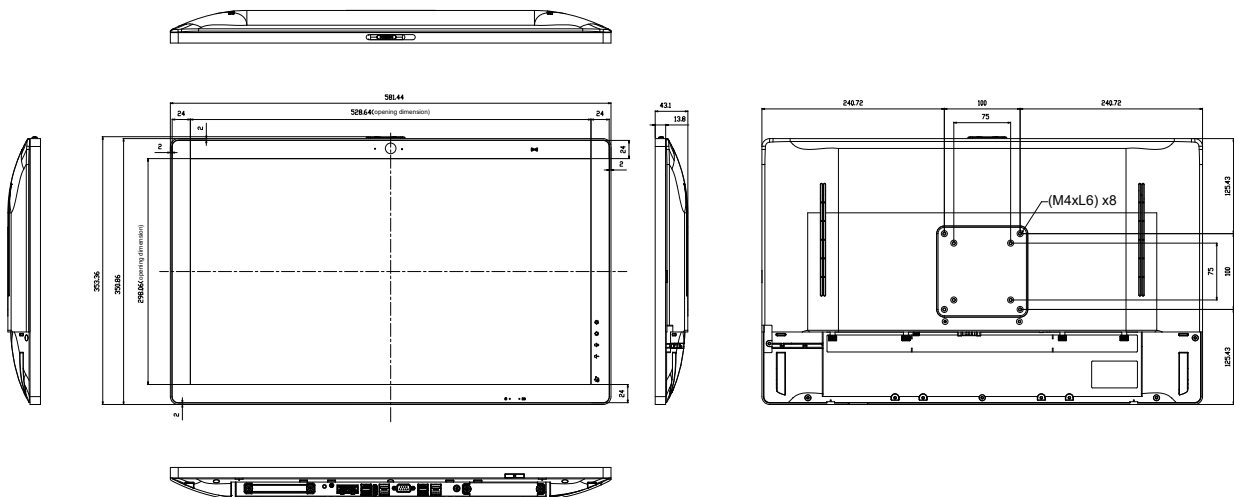


FEATURES

- **Safety Compliance:** Certified to IEC/EN 60601-1 for reliable operation within clinical environments.
- **Hygienic, Easy-to-Clean Surface:** Front IP65-rated and bacteria-resistant housing supports frequent cleaning and disinfection.
- **Fanless Reliability:** Silent, dust-resistant design ensures stable performance for continuous operation.
- **Flexible Installation Options:** Supports deployment on carts, bedside stations, and wall-mounted setups.
- **Integrated Communication Tools:** Built-in camera, microphone, and speakers enable teleconsultation and patient interaction.
- **Wireless Connectivity Ready:** Integrated Wi-Fi 6 and Bluetooth 5.2 support seamless network and peripheral connections.
- **Glove-Compatible Touch Control:** PCAP multi-touch supports precise input when wearing medical gloves.
- **Touch Lock Function:** Prevents unintended input during cleaning procedures.
- **Liquid Protection Design:** Liquid-guiding groove helps minimise seepage risks.
- **Dual LAN Connectivity:** Allows separation of hospital systems and device networks without additional hardware.
- **AI Workflow Integration Ready:** Supports integration into AI-enabled clinical workflows without requiring infrastructure changes.
- **Optional Battery Support:** Enables uninterrupted operation for mobile workflows and medical carts.

TXA2401 is a 24-inch professional all-in-one PC designed to reduce the complexity of deploying healthcare systems across real clinical environments. Built for mobile carts, bedside stations, nursing points, and teleconsultation setups, it enables systems to operate without additional configuration, integration effort, or workflow disruption. As healthcare moves toward connected, real-time, and AI-enabled workflows, TXA2401 acts as a ready-to-deploy clinical endpoint—allowing these systems to function reliably across environments, devices, and applications, with factory-configurable up to 32GB RAM and 1TB SSD, available to meet specific project requirements at the time of order.

TECHNICAL DRAWING



SPECIFICATIONS

Panel	
Panel Type	LED-Backlit TFT LCD (VA Technology)
Panel Size	23.8"
Max. Resolution	FHD 1920 x 1080
Pixel Pitch	0.274 mm
Brightness	250 cd/m ²
Contrast Ratio	3000:1
Viewing Angle (H/V)	178°/178°
Display Colour	16.7M
Response Time	5 ms
Signal Output	
HDMI	1.4 x 1
External Control	
LAN	RJ45 x 2
Serial/COM	COM x 1
Wireless	
Wi-Fi/Bluetooth	Wi-Fi 802.11 a/b/g/n/ac/ax, Bluetooth 5.2
Embedded Player	
OS	Windows 11 IoT Enterprise 64bit
CPU	Intel Core i5-1135-G7
Memory	8GB DDR4 (Default), Factory-configurable up to 32GB*
Storage	2.5" SATA SSD 256GB (Default), Factory-configurable up to 1TB*
Other Connectivity	
USB	2.0 x 4, 3.0 x 4
Audio	
Internal Speakers	3W x 2
Touch Screen	
Technology	Projective Capacitive
Positional Accuracy	±2.5 mm
Multi-touch	10-point touch
Camera	
Resolution	5MP
Microphone	x 2
Power	
Power Supply	External
Power Requirements	DC 19V, 4.74A
On Mode	75W (Max)
Glass	
Surface Treatment	Clear Glass
Thickness	2.4 mm (0.09")
MOHS Hardness	5
IK Rating	IK05
Durability and Protection	
IP rating	Front-Sided IP65
Operating Conditions	
Temperature	0°C-40°C (32°F-104°F)
Humidity	10%-90% (non-condensing)
Storage Conditions	
Temperature	-20°C-60°C (-4°F-144°F)
Humidity	10%-90% (non-condensing)
Mounting	
VESA FPMPMI	YES (75 x 75 mm, 100 x 100 mm)
Dimensions	
Bezel Width	Even bezel 2.0 mm
Product w/o Base (W x H x D)	581.4 x 353.4 x 43.1 mm (22.9" x 13.9" x 1.7")
Packaging (W x H x D)	648.0 x 520.0 x 164.0 mm (25.5" x 20.5" x 6.5")
Weight	
Product w/o Base	6.8 kg (15.0 lb)
Packaging	9.6 kg (21.2 lb)
Regulation Approval	
Certifications & Compliance	CE, LVD, UKCA, IEC/EN 60601-1, IEC/EN 60601-1-2, WEEE, RoHS, REACH
Power Adaptor Certifications	CE, cUL/UL, IEC/EN 60601-1, IEC/EN 60601-1-2, ROHS, WEEE
Accessories	
Supplied	Power Adaptor, Power Cord
Optional Accessories	
Battery	DR-202-GA
Ceiling Mount	CMP-01+WMK-03
Wall Mount	WMA-01, PMK-01, WMK-01, WMK-03
Desk Mount	DMC-01, DMC-02D
Stand	DMS-01D, ES-02



All specifications are subject to change without prior notice.
Copyright © 2026 AG Neovo. All rights reserved.
The name AG Neovo is a trademark of AIC.
All other trademarks are the property of their respective owners.
P/C: TA2410 Version 11, 20260612

* Customized hardware configurations are available to meet specific project requirements at the time of order. Please contact your sales representative for details.