

# PD4302 43-INCH 4K HIGH-BRIGHTNESS SDM-READY COMMERCIAL DISPLAY



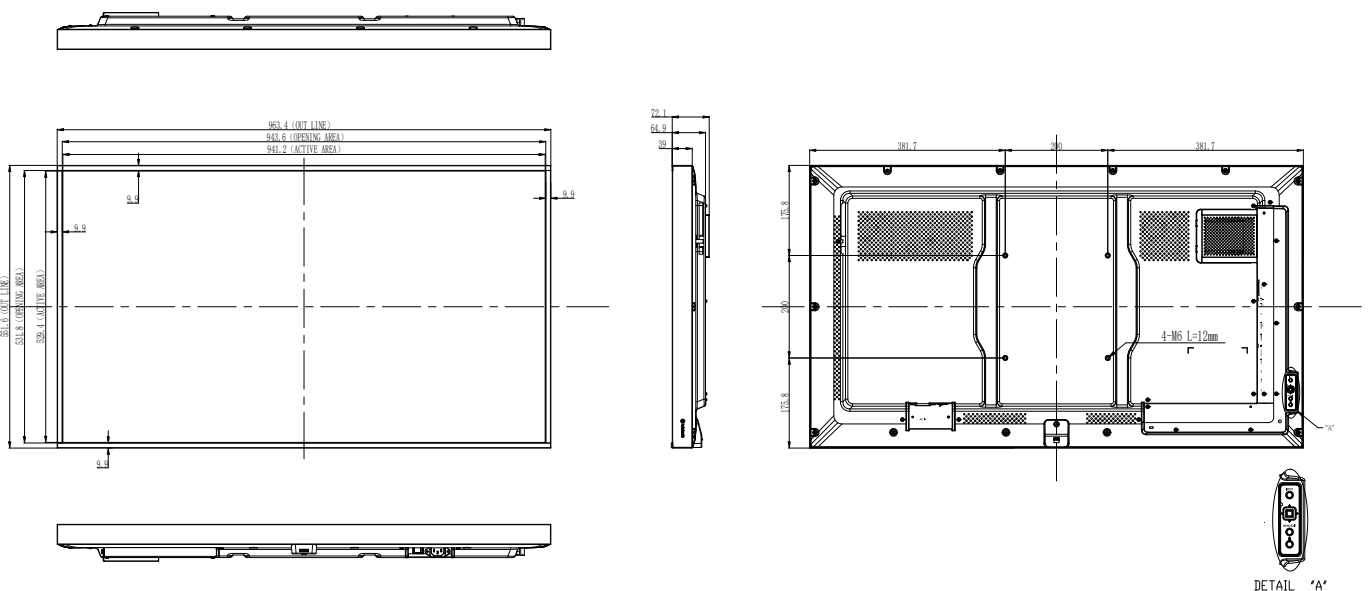
## FEATURES

- UHD 3840 x 2160
- 1000 nits high brightness for clear visibility in bright indoor, window-facing, and high-ambient-light environments
- Intel® SDM-ready architecture for embedded computing and standardised deployment
- IPS panel technology delivers wide 178° viewing angles.
- Anti-glare treatment helps reduce reflections and maintain readability.
- Anti-Burn-in™ Technology helps prevent image ghosting during continuous signage use.
- Compatible with Neovo Controller software for local centralised multi-display control and configuration via RS232 and RJ45 LAN.
- Dual HDMI, DisplayPort in, and USB-C provide versatile source compatibility
- 24/7 commercial-grade operation with support for both portrait and landscape installations



The PD4302 is a 43-inch 4K UHD commercial display designed for professional signage applications where high visibility, reliable operation, and flexible integration are essential. Featuring 1000-nit brightness, Intel® SDM-ready architecture, 24/7 operation, and versatile control connectivity, it supports embedded computing, standardised deployment, and scalable signage networks across bright commercial environments.

## TECHNICAL DRAWING



## SPECIFICATIONS

### Panel

Panel Type	LED-Backlit TFT LCD (IPS Technology)
Panel Size	43.0"
Max. Resolution	UHD 3840 x 2160
Pixel Pitch	0.245 mm
Brightness	1000 cd/m <sup>2</sup>
Contrast Ratio	20,000,000:1 (DCR)
Viewing Angle (H/V)	178°/178°
Display Colour	1.07G
Response Time	5 ms
Surface Treatment	Anti-Glare Treatment (Haze 25%), 3H Hard Coating

### Frequency

Frequency (H)	15 kHz-136 KHz
Frequency (V)	23 Hz-76 Hz

### Signal Input

DisplayPort	1.2 x 1
HDMI	2.0 x 2
VGA	15-Pin D-Sub x 1
Type-C	x 1 (PD 15W)

### External Control

IR In	3.5 mm Phone Jack
RS232 In	RJ45
RS232 Out	RJ45
LAN	RJ45 x 1

### Other Connectivity

USB	2.0 x 1 (Service Port)
SDM Slot	SDM-S

### Audio

Audio In	Stereo Audio Jack (3.5 mm)
Audio Out	Stereo Audio Jack (3.5 mm)
Internal Speakers	10W x 2

### Power

Power Supply	Internal
Power Requirements	AC 100-240V, 50/60 Hz
On Mode	168W(On)
Standby Mode	< 0.5W
Off Mode	0W

### Operating Conditions

Temperature	0°C-40°C (32°F-104°F)
Humidity	20%-80% (non-condensing)

### Storage Conditions

Temperature	-10°C-60°C (14°F-140°F)
Humidity	10%-80% (non-condensing)

### Mounting

VESA FPMPI	Yes (200 x 200 mm)
------------	--------------------

### Dimensions

Bezel Width	Even bezel 9.9 mm
Product w/o Base (W x H x D)	963.4 x 551.6 x 72.1 mm (37.9" x 21.7" x 2.8")
Packaging (W x H x D)	1070.0 x 657.0 x 140.0 mm (42.1" x 25.9" x 5.5")

### Weight

Product w/o Base	12.0 kg (26.5 lb)
Packaging	15.5 kg (34.2 lb)

### Regulation Approval

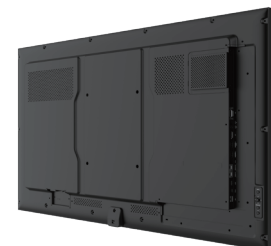
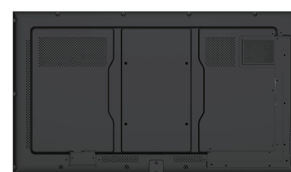
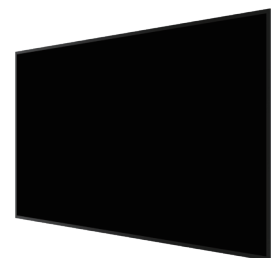
Certifications & Compliance	CE, LVD, WEEE, RoHS, REACH
-----------------------------	----------------------------

### Accessories

Supplied	Power Cord, HDMI Cable, RS232 Cable, Remote Control, Quick Start Guide
----------	--

### Optional Accessories

Ceiling Mount	CMP-01 + LMK-02, CMP-01 + WMK-03
Wall Mount	LMA-01, WMA-01, LMK-02, WMK-03
Wall Mount (Portrait only)	WMK-05
Ceiling Mount (Landscape only)	CMP-01 + LMK-01
Wall Mount (Landscape only)	LMK-01, LMK-03, LMA-02
Desk Mount (Landscape only)	DTS-01
Video Wall Mount	VWM-01



All specifications are subject to change without prior notice.  
Copyright © 2026 AG Neovo. All rights reserved.  
The name AG Neovo is a trademark of AIC.  
All other trademarks are the property of their respective owners.  
P/C: PD4320 Version 11, 20260707