

# LA2204 22-INCH FHD DESKTOP MONITOR

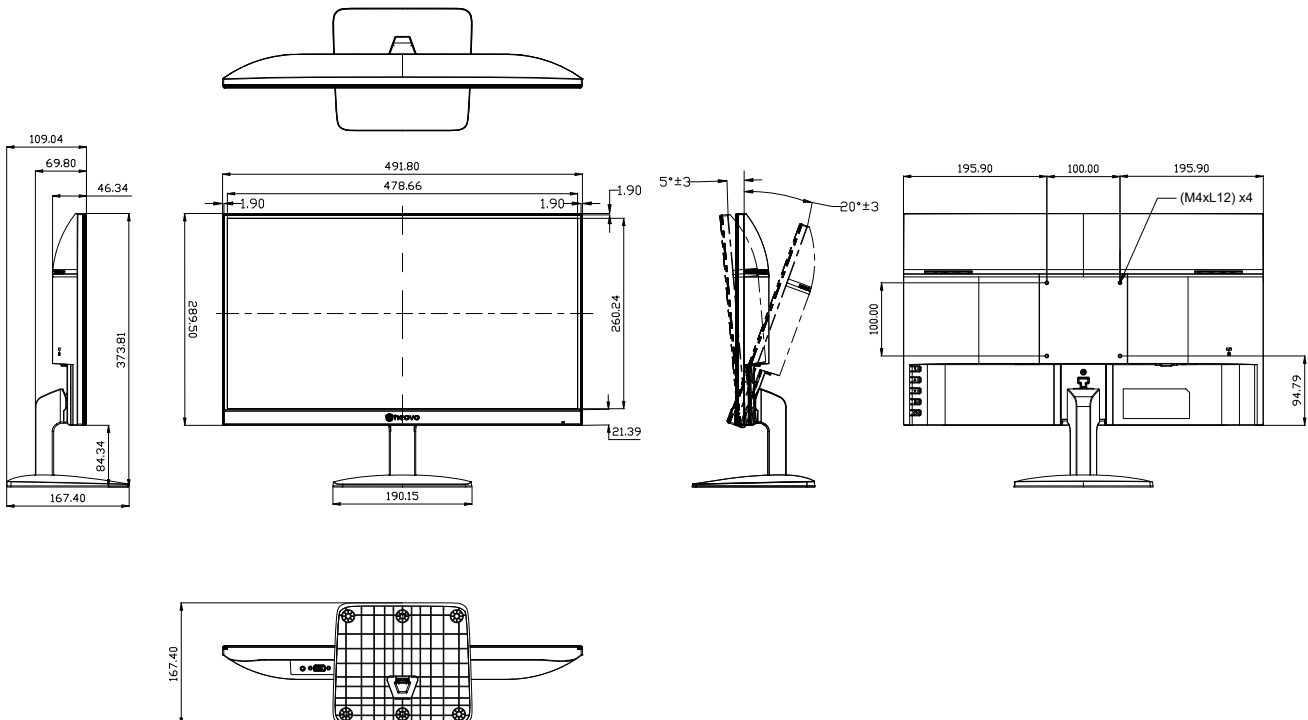


## FEATURES

- **22" Full HD Resolution:** Clear and detailed image quality for daily office tasks.
- **100Hz Refresh Rate:** Smooth on-screen motion for comfortable viewing.
- **Ultra-Slim Border Design:** Clean appearance with expanded viewing area.
- **Eye-Care Technology:** Flicker-free and low blue light for reduced eye fatigue.
- **Dynamic Contrast Ratio:** Improved visibility with enhanced light and dark details.
- **HDMI & VGA Connectivity:** Easy connection to PCs and laptops.
- **Built-in Dual Speakers:** Integrated audio for calls and multimedia.

The LA2204 22" FHD Desktop Monitor is designed for reliable everyday performance in office and professional environments. With a compact screen size that fits easily into various workspaces, it supports clear viewing, smooth operation, and flexible installation for daily tasks such as document processing, presentations, and communication. The LA2204 provides a practical display solution for users who need consistent performance and straightforward connectivity.

## TECHNICAL DRAWING



## SPECIFICATIONS

### Panel

Panel Type	LED-Backlit TFT LCD (VA Technology)
Panel Size	21.5"
Max. Resolution	FHD 1920 x 1080
Pixel Pitch	0.241 mm
Brightness	250 cd/m <sup>2</sup>
Contrast Ratio	20,000,000:1 (DCR)
Viewing Angle (H/V)	178°/178°
Display Colour	16.7M
Response Time	5 ms
Surface Treatment	Anti-Glare Treatment (Haze 25 %), 3H Hard Coating

### Frequency

Frequency (H)	30 kHz-113 kHz
Frequency (V)	48 Hz-100 Hz

### Signal Input

HDMI	1.4 x 1
VGA	15-Pin D-Sub x 1

### Audio

Audio In	Stereo Audio Jack (3.5 mm)
Internal Speakers	2W x 2

### Power

Power Supply	Internal
Power Requirements	AC 100-240V, 50/60 Hz
On Mode	16W (On)
Standby Mode	< 0.5W
Off Mode	< 0.3W

### Operating Conditions

Temperature	0°C-40°C (32°F-104°F)
Humidity	10%-90% (non-condensing)

### Storage Conditions

Temperature	-20°C-60°C (-4°F-140°F)
Humidity	5%-90% (non-condensing)

### Mounting

VESA FPM/PMI	Yes (100 x 100 mm)
--------------	--------------------

### Stand

Tilt	-5° to 20°
------	------------

### Security

Kensington Security Slot	Yes
--------------------------	-----

### Dimensions

Bezel Width	1.9 mm (Top/Left/Right) 21.4mm (Bottom)
Product with Base (W x H x D)	491.8 x 373.8 x 167.4 mm (19.4" x 14.7" x 6.6")
Product w/o Base (W x H x D)	491.8 x 289.5 x 46.3 mm (19.4" x 11.4" x 1.8")
Packaging (W x H x D)	562.0 x 375.0 x 110.0 mm (22.1" x 14.8" x 4.3")

### Weight

Product with Base	2.6 kg (5.7 lb)
Product w/o Base	2.3 kg (5.1 lb)
Packaging	3.8 kg (8.4 lb)

### Regulation Approval

Certifications & Compliance	CE, LVD, WEEE, RoHS, REACH, UKCA
-----------------------------	----------------------------------

### Accessories

Supplied	HDMI Cable, Power cord, Quick Start Guide
----------	---

### Optional Accessories

Wall Mount	PMK-01, WMA-01, WMK-01, WMK-03
Desk mount	DMC-01, DMC-02D
Stand	DMS-01D, ES-02



All specifications are subject to change without prior notice.  
Copyright © 2026 AG Neovo. All rights reserved.  
The name AG Neovo is a trademark of AIC.  
All other trademarks are the property of their respective owners.  
P/C: LA2240 Version 1.0, 20260325