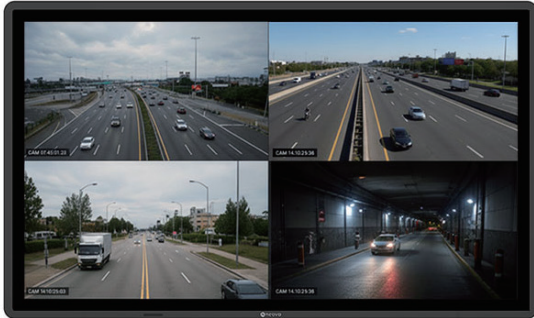


QX3202 32-INCH 4K DISPLAY WITH MULTIPLE INPUTS

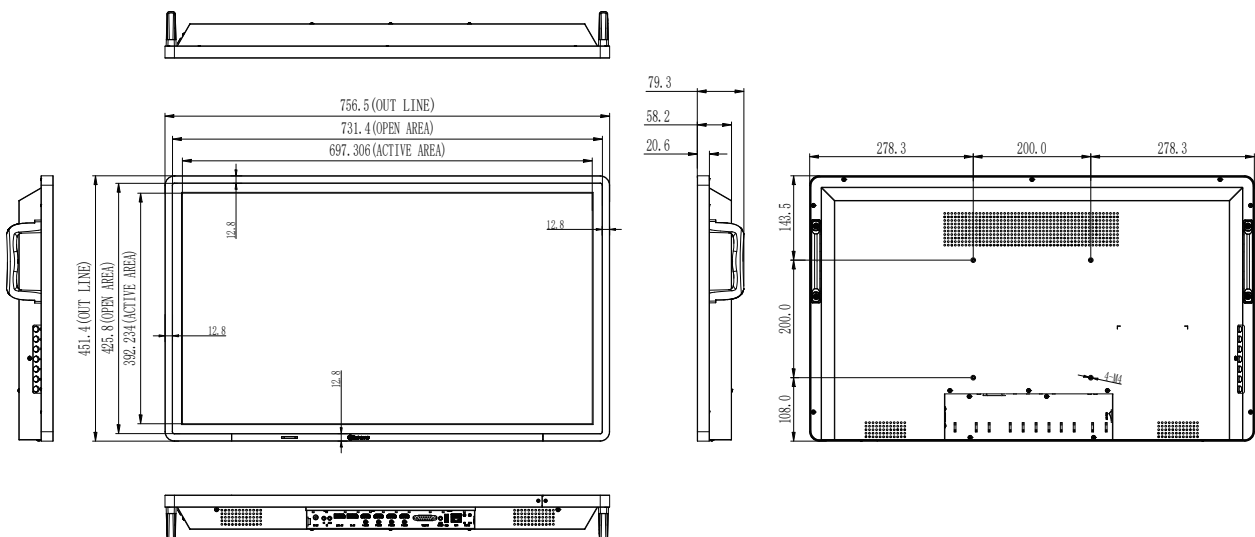


FEATURES

- **4x HDMI with Quad-View:** Displays four independent sources on a single screen, enabling efficient multi-source monitoring without external multiviewer hardware.
- **DisplayPort Daisy-Chain:** Mirrors the selected input to a second display, allowing simple signal extension without additional splitters.
- **LAN Control and RS-232 Loop-Through:** Enables centralised configuration and daisy-chain control across multiple displays from one control point.
- **External Keypad Support:** Works with optional keypads to provide fast access to preset functions for improved operational efficiency.
- **Dimming Knob Compatibility:** Supports an external dimming knob for precise, tactile brightness adjustment during critical monitoring tasks.
- **Blackout Mode:** Instantly blanks the screen through the external keypad, helping operators eliminate light spill in dark-room environments.
- **Ultra-Low 2 Nits:** Achieves extremely low brightness while maintaining visibility, reducing eye fatigue during overnight surveillance.
- **Robust Design for 24/7 Operation:** NeoV™ Optical Glass, Anti-Burn-In™ technology, and a reinforced metal chassis ensure long-term durability in demanding control-room conditions.
- **Neovo Controller:** Offers unified software-based management across multiple displays, simplifying setup, monitoring, and batch configuration.

The AG Neovo QX3202 is a 32-inch 4K display purpose-built for environments where precision, control, and uptime are paramount. With 4x HDMI inputs along with native quad-view capabilities, it allows operators to monitor up to four video sources simultaneously in flexible layouts, eliminating the need for external switchers. The display supports remote management via LAN and RS232 loop-through, enabling seamless integration into control room systems. Combined with blackout mode for low-light conditions, industrial-grade durability, and optional custom keypad shortcuts, the display empowers system integrators to simplify installations while ensuring long-term operational stability.

TECHNICAL DRAWING



SPECIFICATIONS

Panel

| | |
|---------------------|-------------------------------------|
| Panel Type | LED-Backlit TFT LCD (VA Technology) |
| Panel Size | 32.0" |
| Max. Resolution | UHD 3840 x 2160 |
| Pixel Pitch | 0.182 mm |
| Brightness | 350 cd/m ² |
| Contrast Ratio | 3000:1 |
| Viewing Angle (H/V) | 178°/178° |
| Display Colour | 1.07B |
| Response Time | 5 ms |

Frequency

| | |
|---------------|------------------|
| Frequency (H) | 30 kHz - 160 kHz |
| Frequency (V) | 30 Hz - 76 Hz |

Signal Input

| | |
|-------------|---------|
| DisplayPort | 1.2 x 1 |
| HDMI | 2.0 x 4 |

Signal Output

| | |
|-------------|---------|
| DisplayPort | 1.2 x 1 |
|-------------|---------|

External Control

| | |
|-----------|-------------------|
| IR In | 3.5 mm Phone Jack |
| IR Out | 3.5 mm Phone Jack |
| RS232 In | 2.5 mm Phone Jack |
| RS232 Out | 2.5 mm Phone Jack |
| LAN | RJ45 x 1 |

Other Connectivity

| | |
|-----|------------------------|
| USB | 2.0 x 1 (Service Port) |
|-----|------------------------|

Audio

| | |
|-------------------|----------------------------|
| Audio Out | Stereo Audio Jack (3.5 mm) |
| Internal Speakers | 10W x 2 |

Power

| | |
|--------------------|--------------|
| Power Supply | External |
| Power Requirements | DC 24V, 5.5A |
| On Mode | 48W(On) |
| Standby Mode | < 0.5W |
| Off Mode | < 0.3W |

Glass

| | |
|-------------------|----------------|
| Surface Treatment | AG |
| Thickness | 3.2 mm (0.13") |
| Gloss | 75±10% |
| Haze | 3%~8% |
| MOHS Hardness | 6 |
| Pencil Hardness | 8H |
| IK Rating | IK08 |

Durability and Protection

| | |
|-----------|---------------------|
| IK rating | IK10 (Metal casing) |
|-----------|---------------------|

Operating Conditions

| | |
|-------------|--------------------------|
| Temperature | 0°C-40°C (32°F-104°F) |
| Humidity | 10%-90% (non-condensing) |

Storage Conditions

| | |
|-------------|-------------------------|
| Temperature | -20°C-60°C (-4°F-140°F) |
| Humidity | 5%-95% (non-condensing) |

Mounting

| | |
|--------------|--------------------|
| VESA FPM/PMI | Yes (200 x 200 mm) |
|--------------|--------------------|

Dimensions

| | |
|------------------------------|---|
| Bezel Width | Even bezel 12.8 mm |
| Product w/o Base (W x H x D) | 756.5 x 451.4 x 79.3 mm (29.8" x 17.8" x 3.1") |
| Packaging (W x H x D) | 850.0 x 530.0 x 145.0 mm (33.5" x 20.9" x 5.7") |

Weight

| | |
|------------------|-------------------|
| Product w/o Base | 10.2 kg (22.5 lb) |
| Packaging | 12.6 kg (27.8 lb) |

Regulation Approval

| | |
|------------------------------|---|
| Certifications & Compliance | CE, LVD, FCC, ICES-007 Issue 7, WEEE, RoHS, REACH |
| Power Adaptor Certifications | CE, FCC, BSMI, CCC, WEEE, UL/cUL, KCC, RCM, PSE |

Accessories

| | |
|----------|--|
| Supplied | Power Adaptor, Power Cord, HDMI Cable, Remote Control, Quick Start Guide |
|----------|--|

Optional Accessories

| | |
|--------------------------------|------------------------|
| Ceiling Mount | CMP-01 + WMK-03 |
| Ceiling Mount (Landscape only) | CMP-01 + LMK-02 |
| Wall Mount | WMA-01, WMK-03 |
| Wall Mount (Landscape only) | LMA-01, LMA-02, LMK-02 |
| Desk Mount (Landscape only) | DTS-01 |
| External keypad | KPD01 |
| Control Knob | KNB01 |



All specifications are subject to change without prior notice.
Copyright © 2026 AG Neovo. All rights reserved.
The name AG Neovo is a trademark of AIC.
All other trademarks are the property of their respective owners.
P/C: QX3220 Version 21, 20260417