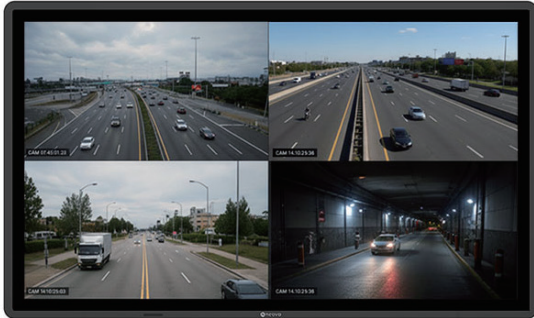


QX3202 32-INCH 4K DISPLAY WITH MULTIPLE INPUTS

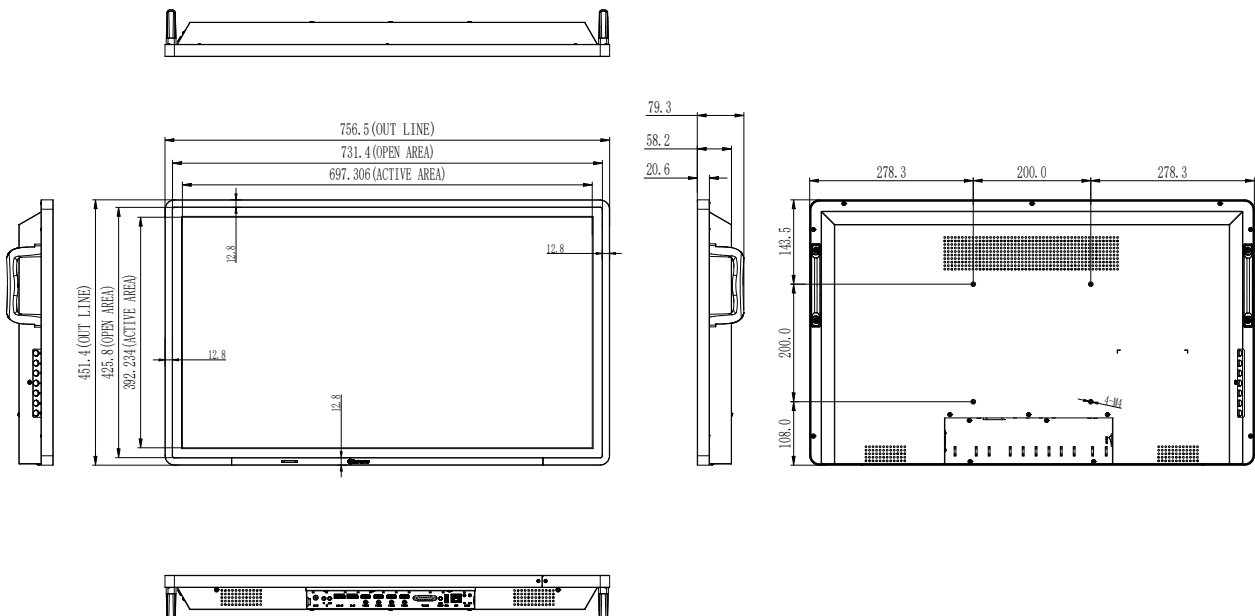


FEATURES

- 4x HDMI with Quad-View:** Displays four independent sources on a single screen, enabling efficient multi-source monitoring without external multiviewer hardware.
- DisplayPort Daisy-Chain:** Mirrors the selected input to a second display, allowing simple signal extension without additional splitters.
- LAN Control and RS-232 Loop-Through:** Enables centralised configuration and daisy-chain control across multiple displays from one control point.
- External Keypad Support:** Works with optional keypads to provide fast access to preset functions for improved operational efficiency.
- Dimming Knob Compatibility:** Supports an external dimming knob for precise, tactile brightness adjustment during critical monitoring tasks.
- Blackout Mode:** Instantly blanks the screen through the external keypad, helping operators eliminate light spill in dark-room environments.
- Ultra-Low 2 Nits:** Achieves extremely low brightness while maintaining visibility, reducing eye fatigue during overnight surveillance.
- Robust Design for 24/7 Operation:** NeoV™ Optical Glass, Anti-Burn-In™ technology, and a reinforced metal chassis ensure long-term durability in demanding control-room conditions.
- Neovo Controller:** Offers unified software-based management across multiple displays, simplifying setup, monitoring, and batch configuration.

The AG Neovo QX3202 is a 32-inch 4K display purpose-built for environments where precision, control, and uptime are paramount. With 4x HDMI inputs along with native quad-view capabilities, it allows operators to monitor up to four video sources simultaneously in flexible layouts, eliminating the need for external switchers. The display supports remote management via LAN and RS232 loop-through, enabling seamless integration into control room systems. Combined with blackout mode for low-light conditions, industrial-grade durability, and optional custom keypad shortcuts, the display empowers system integrators to simplify installations while ensuring long-term operational stability.

TECHNICAL DRAWING



SPECIFICATIONS

Panel

Panel Type	LED-Backlit TFT LCD (VA Technology)
Panel Size	32.0"
Max. Resolution	UHD 3840 x 2160
Pixel Pitch	0.182 mm
Brightness	350 cd/m ²
Contrast Ratio	3000:1
Viewing Angle (H/V)	178°/178°
Display Colour	1.07B
Response Time	5 ms
Surface Treatment	Anti-Glare Treatment (Haze 25%), 3H Hard Coating

Frequency

Frequency (H)	30 kHz - 160 kHz
Frequency (V)	30 Hz - 76 Hz

Signal Input

DisplayPort	1.2 x 1
HDMI	2.0 x 4

Signal Output

DisplayPort	1.2 x 1
-------------	---------

External Control

IR In	3.5 mm Phone Jack
IR Out	3.5 mm Phone Jack
RS232 In	2.5 mm Phone Jack
RS232 Out	2.5 mm Phone Jack
LAN	RJ45 x 1

Other Connectivity

USB	2.0 x 1 (Service Port)
-----	------------------------

Audio

Audio Out	Stereo Audio Jack (3.5 mm)
Internal Speakers	10W x 2

Power

Power Supply	External
Power Requirements	DC 24V, 5.5A
On Mode	48 W (On)
Standby Mode	< 0.5W
Off Mode	< 0.3 W

Glass

Thickness	3.2 mm (0.13")
Gloss	75±10%
Haze	3 - 8%
MOHS Hardness	6
Pencil Hardness	8H
IK Rating	IK08

Durability and Protection

IK rating	IK10 (Metal casing)
-----------	---------------------

Operating Conditions

Temperature	0°C-40°C (32°F-104°F)
Humidity	10%-90% (non-condensing)

Storage Conditions

Temperature	-20°C-60°C (-4°F-140°F)
Humidity	5%-95% (non-condensing)

Mounting

VESA FPMPMI	Yes (200 x 200 mm)
-------------	--------------------

Dimensions

Bezel Width	Even bezel 12.8 mm
Product w/o Base (W x H x D)	756.5 x 451.4 x 79.3 mm (29.8" x 17.8" x 3.1")
Packaging (W x H x D)	850.0 x 530.0 x 145.0 mm (33.5" x 20.9" x 5.7")

Weight

Product w/o Base	10.2 kg (22.5 lb)
Packaging	12.6 kg (27.8 lb)

Regulation Approval

Certifications & Compliance	CE, LVD, WEEE, RoHS, REACH
Power Adaptor Certifications	BSMI, CCC, CE, cUL/UL, FCC, KCC, PSE, RCM, UKCA, WEEE

Accessories

Supplied	Power Adaptor, Power Cord, HDMI Cable, Remote Control, Quick Start Guide
----------	--

Optional Accessories

Ceiling Mount	CMP-01 + WMK-03
Ceiling Mount (Landscape only)	CMP-01 + LMK-02
Wall Mount	WMA-01, WMK-03
Wall Mount (Landscape only)	LMA-01, LMA-02, LMK-02
Desk Mount (Landscape only)	DTS-01
External keypad	KPD01
Control Knob	KNB01



All specifications are subject to change without prior notice.
Copyright © 2026 AG Neovo. All rights reserved.
The name AG Neovo is a trademark of AIC.
All other trademarks are the property of their respective owners.
P/C: QX3220 Version 2.0, 20260324