

X-2402 WHITE 24" INDUSTRIAL-GRADE MONITORS WITH IK10 METAL CASING

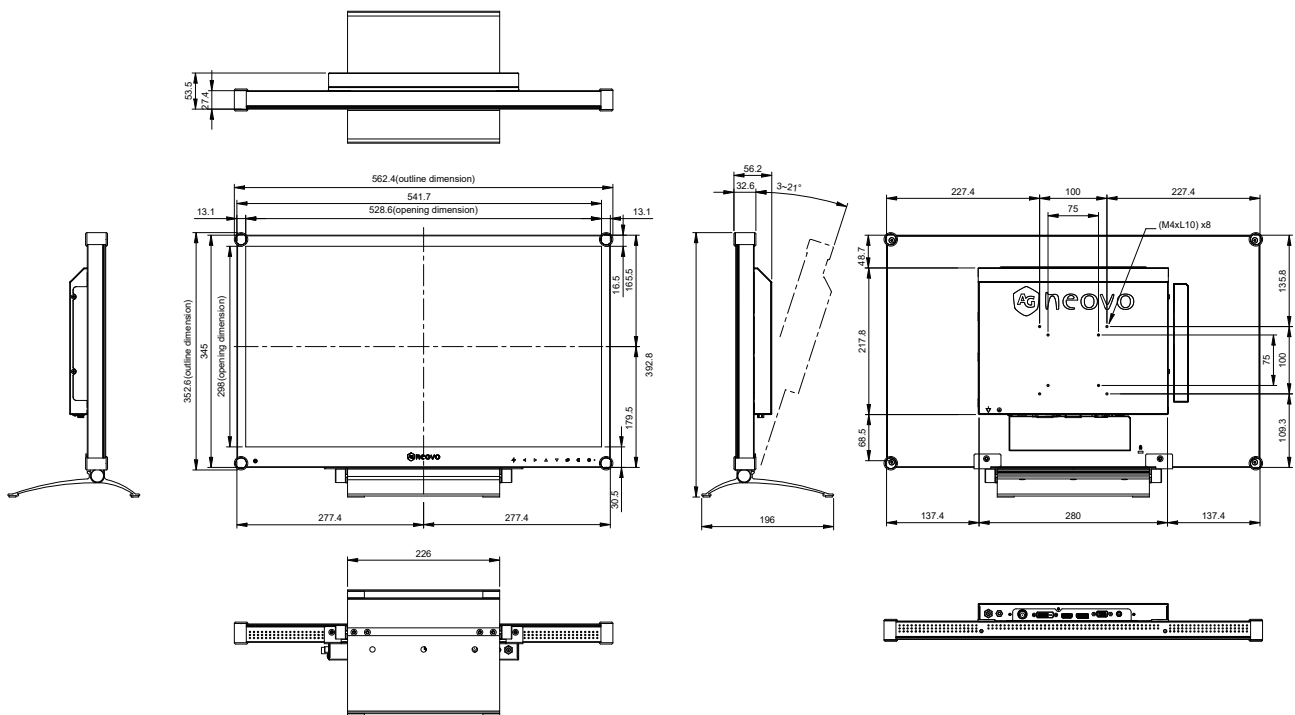
FEATURES



- LED-backlit technology with 1920 x 1080 resolutions
- VA panel technology ensures accurate colours and offers high contrast ratios with wide viewing angles
- Anti-Burn-in™ technology prevents image ghosting
- NeoV™ Optical Glass and metal housing for excellent cleanability and protection
- Crisp 20,000,000:1 dynamic contrast ratio
- Versatile connectivity: DisplayPort, HDMI, DVI, VGA
- Front-sided IP65 Compliant (IEC 60529 Standard)
- EcoSmart Sensor automatically adjusts brightness level according to ambient lighting conditions
- Meets Light Industrial Certification Standards EN61000-6-1 & EN61000-6-3
- Wide Temperature Design for Versatile Work Environments
- Heavy-Duty Casing with IK10 Impact Protection

The X-2402 White display is a powerhouse of durability and visual excellence, suitable for a myriad of applications. With features such as an IK10-rated metal casing, IP65 dust and water resistance certification, a wide temperature range design, NeoV™ optical glass, and versatile connectivity options, the X-2402 White is engineered to thrive in demanding environments, delivering top-notch performance and reliability.

TECHNICAL DRAWING



SPECIFICATIONS

Panel

Panel Type	LED-Backlit TFT LCD (VA Technology)
Panel Size	23.8"
Max. Resolution	FHD 1920 x 1080
Pixel Pitch	0.275 mm
Brightness	300 cd/m ²
Contrast Ratio	20,000,000:1 (DCR)
Viewing Angle (H/V)	178°/178°
Display Colour	16.7M
Response Time	5 ms

Frequency

Frequency (H)	24 kHz-83 kHz
Frequency (V)	50 Hz-75 Hz

Signal Input

DisplayPort	x 1
HDMI	1.4 x 1
DVI	24-Pin DVI-D
VGA	15-Pin D-Sub x 1

Audio

Audio In	Stereo Audio Jack (3.5 mm)
Internal Speakers	2W x 2

Power

Power Supply	External
Power Requirements	DC 12V, 2.5A
On Mode	18W (On)
Standby Mode	< 0.5W
Off Mode	< 0.3W

Glass

Surface Treatment	AR
Thickness	3.0 mm (0.12")
Reflection Rate	< 1%
Transmission Rate	> 97%
MOHS Hardness	6
Pencil Hardness	9H
IK Rating	IK07

Durability and Protection

IP rating	Front-Sided IP65
IK rating	IK10 (Metal casing)

Operating Conditions

Temperature	-5°C-45°C (23°F-113°F)
Humidity	10%-90% (non-condensing)

Storage Conditions

Temperature	-20°C-60°C (-4°F-140°F)
Humidity	5%-95% (non-condensing)

Mounting

VESA FPMPMI	Yes (100 x 100 mm & 75 x 75 mm)
-------------	---------------------------------

Stand

Tilt	3° to 21°
------	-----------

Security

Kensington Security Slot	Yes
--------------------------	-----

Dimensions

Product with Base (W x H x D)	562.4 x 392.8 x 196.0 mm (22.1" x 15.4" x 7.7")
Product w/o Base (W x H x D)	562.4 x 352.6 x 56.2 mm (22.1" x 13.9" x 2.2")
Packaging (W x H x D)	672.0 x 517.0 x 249.0 mm (26.5" x 20.4" x 9.8")

Weight

Product w/o Base	6.9 kg (15.2 lb)
Product with Base	7.7 kg (17.0 lb)
Packaging	10.4 kg (22.9 lb)

Regulation Approval

Certifications & Compliance	CE, LVD, WEEE, RoHS, REACH, UKCA, EN 50130-4, EN IEC 61000-6-3, EN IEC 61000-6-1
Adaptor Certified logo	BIS, BSMI, CCC, CE, CPNM, cUL/UL, GS, IRAM S-Mark, KC, KCC, NOM, RCM, RoHS, Serbia 3A, UKCA, UkrSEPRO, WEEE

Accessories

Supplied	Audio Cable, Power Adaptor, Power Cord, Quick Start Guide, VGA Cable
----------	--

Optional Accessories

Ceiling Mount	CMP-01 + WMK-03
Wall Mount	PMK-01, WMA-01, WMK-01, WMK-03
Desk mount	DMC-01, DMC-02D, DMS-01D, ES-02
Handle	HDL-02



All specifications are subject to change without prior notice.
Copyright © 2026 AG Neovo. All rights reserved.
The name AG Neovo is a trademark of AIC.
All other trademarks are the property of their respective owners.
P/C: X242A0 Version 31, 20260508