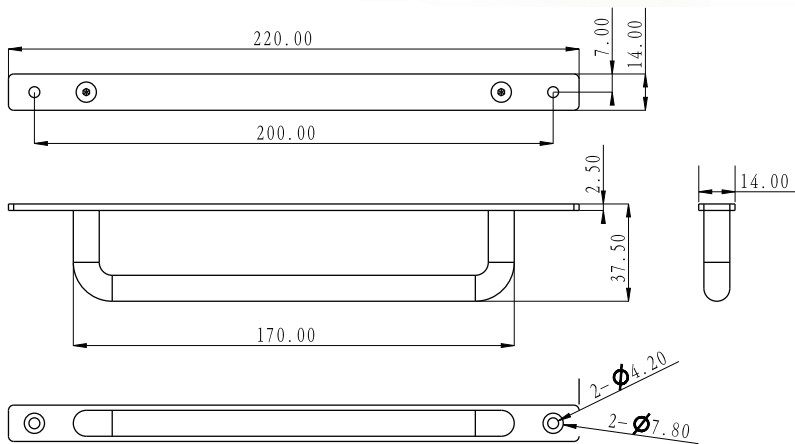
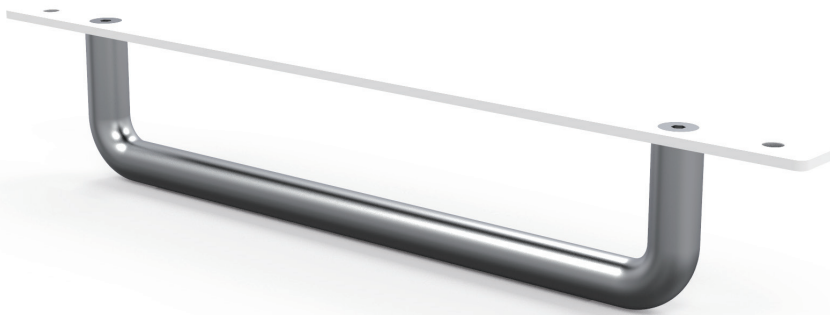


# HDL-03

Handle for Clinical Review & Dental Monitors



## Specifications

Type	Type	Handle
Bracket	Design	1 pcs
Compatible Models	Displays	DR-2202
Mounting	VESA Mounting	200 mm
Loading	Weight Capacity	6.5 kg (14.3lb)
Exterior	Material	Steel
	Surface Finish	Powder Coating
	Colour	White
Dimensions	Product (W x H x D)	220.0 x 37.5 x 14.0 mm (8.7" x 1.5" x 0.6")
	Packaging (W x H x D) (1 set)	240.0 x 158.0 x 70.0 mm (9.4" x 6.2" x 2.8") / 1 box (8 pcs)
Weight	Net Weight	0.19 kg (0.41 lb)
	Gross Weight (1 set)	0.2 kg (0.44 lb)
Packaging	1 Carton	96 pcs
	Gross Weight (1carton)	19.7 kg (43.4 lb)