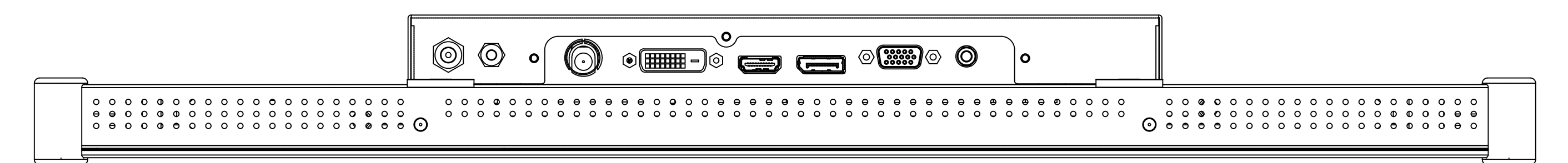
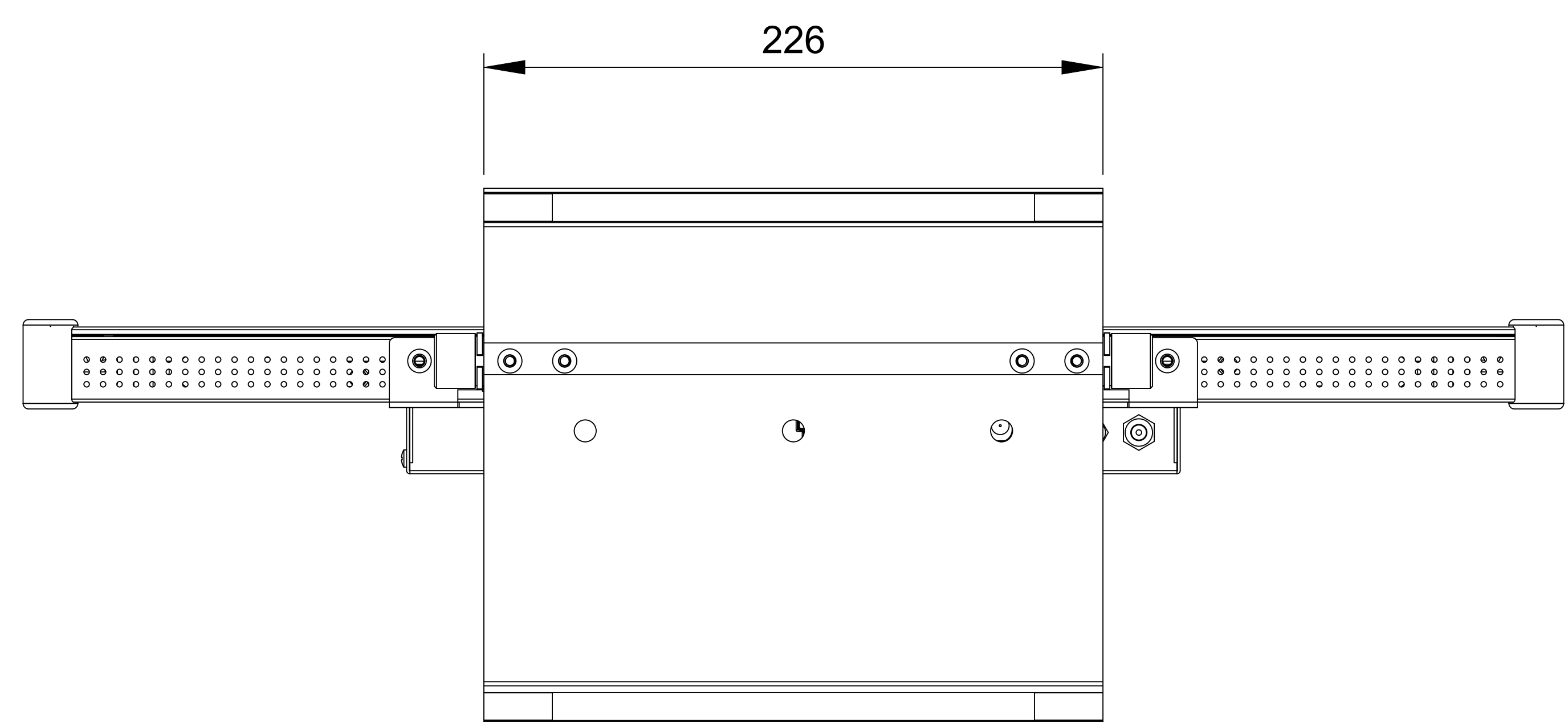
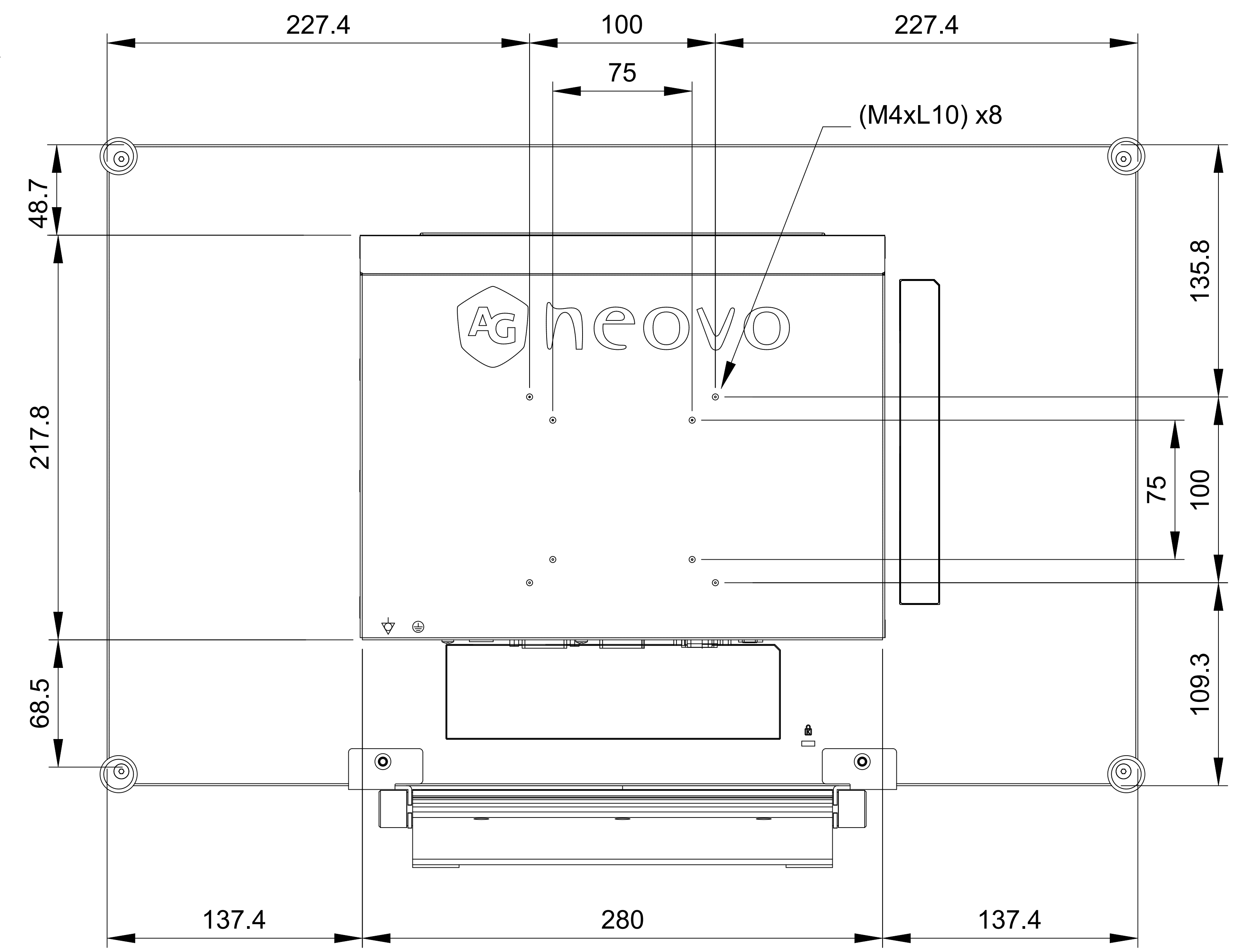
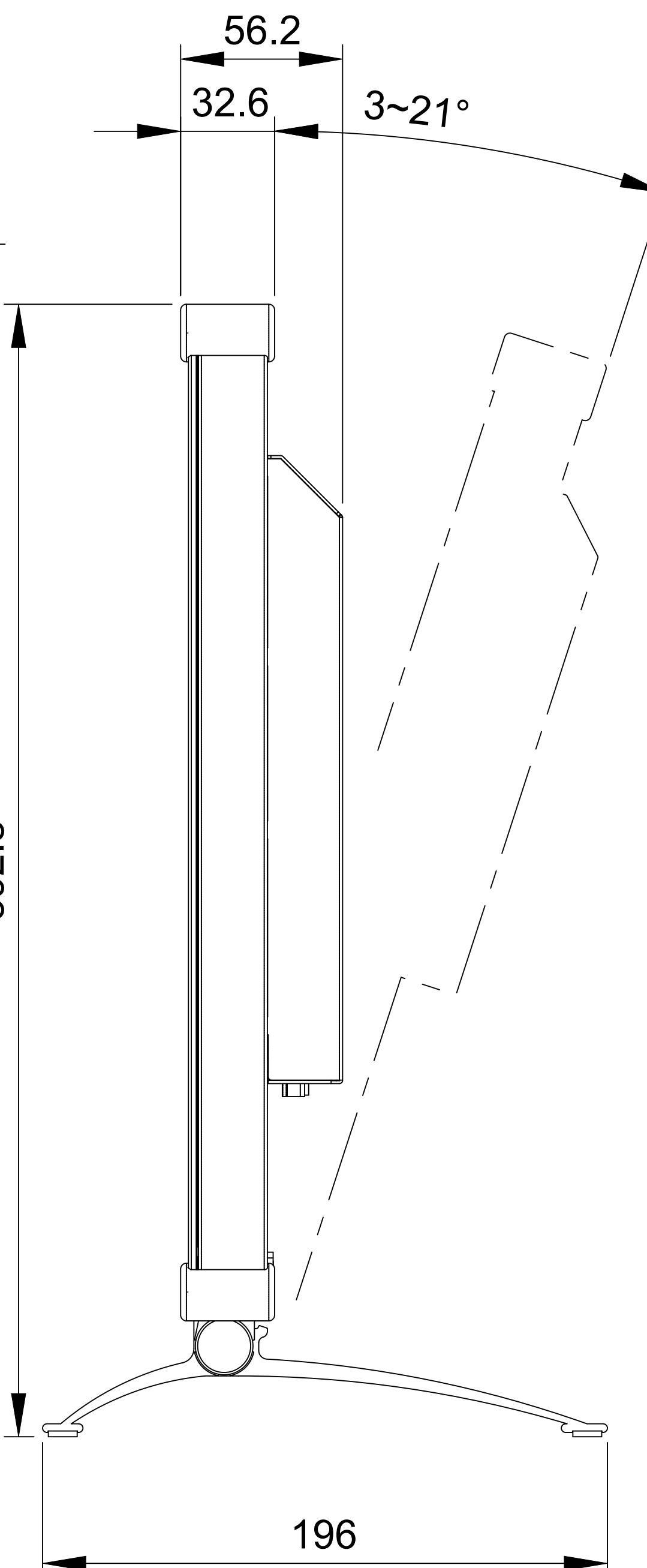
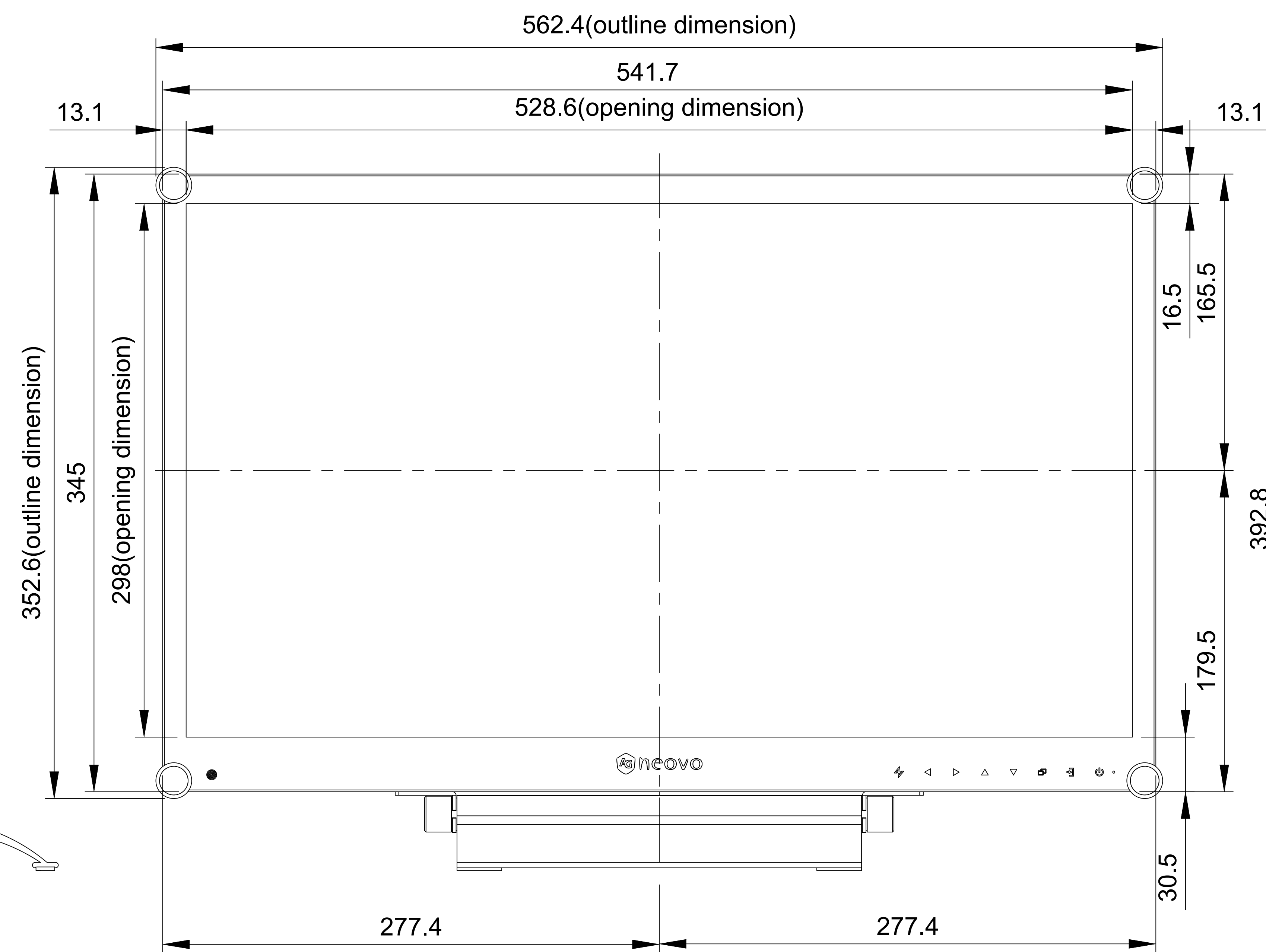


# MX-2402

Net weight : 7.8kg/17.2lb (with Stand)  
7.0kg/15.4lb (w/o Stand)



SPECIFICATIONS SUBJECT TO CHANGE WITHOUT NOTICE.

 www.agneovo.com	Model Name:	
	<b>MX-2402</b>	
<small>THIS DRAWING ON THIS PRINT AND INFORMATION BELONG WITH AG Neovo. ANY REPRODUCTION IN PART OR WHOLE WITHOUT WRITTEN PERMISSION OF AG Neovo IS PROHIBITED.</small>	 P/C:MX2420	SCALE   1:1   UNITS   mm   V.1.01