

1 2 3 4 5 6 7 8 9 10 11

A

B

C

D

E

F

G

H

A

B

C

D

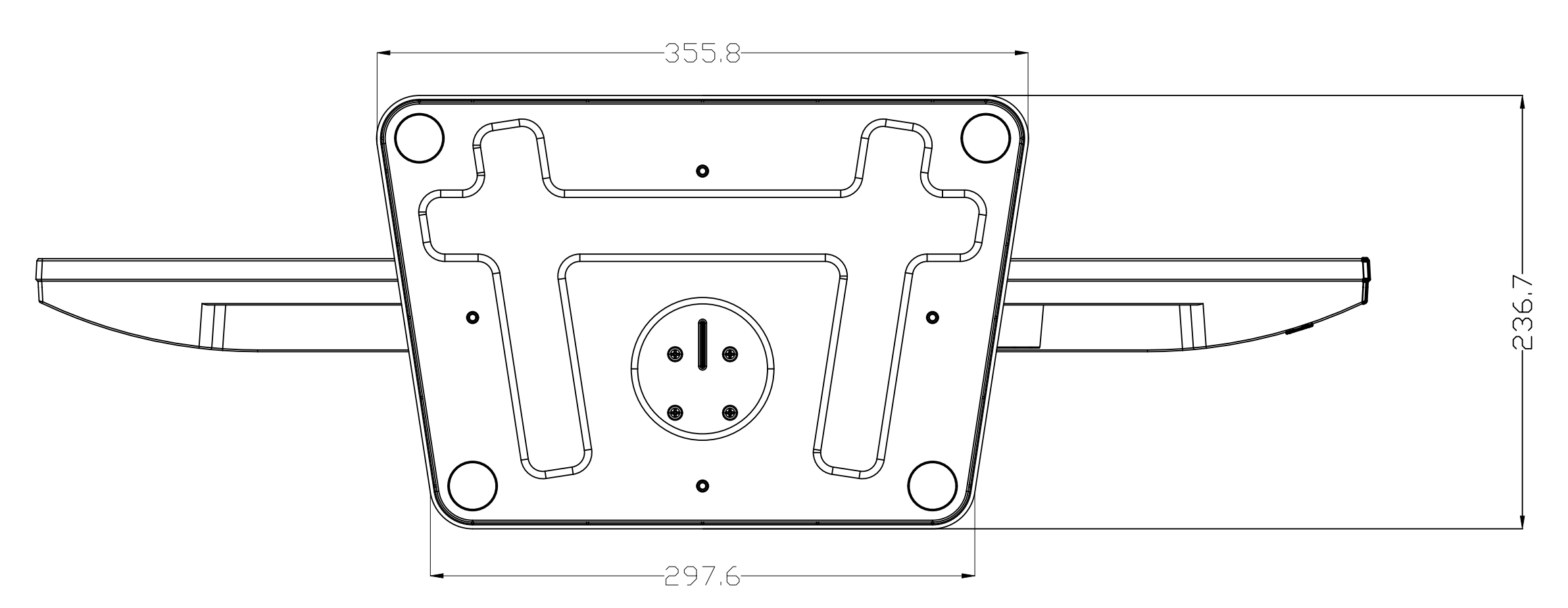
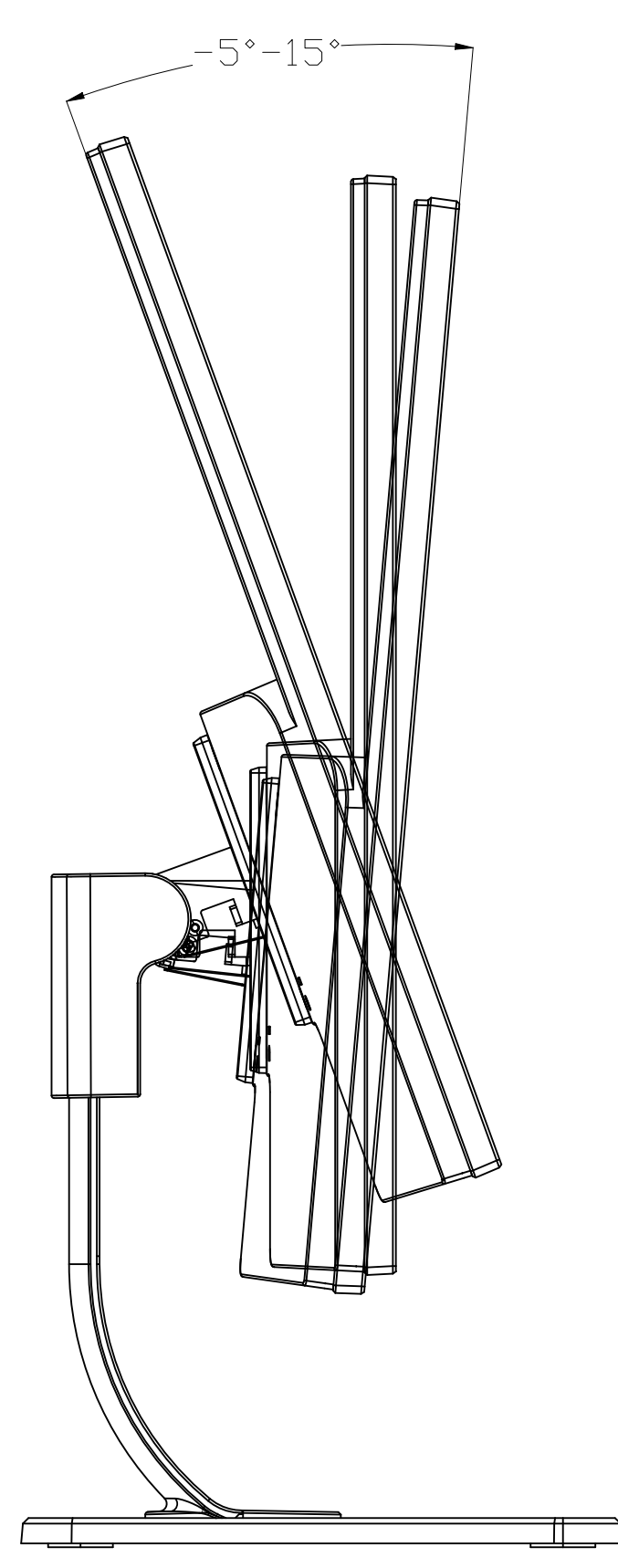
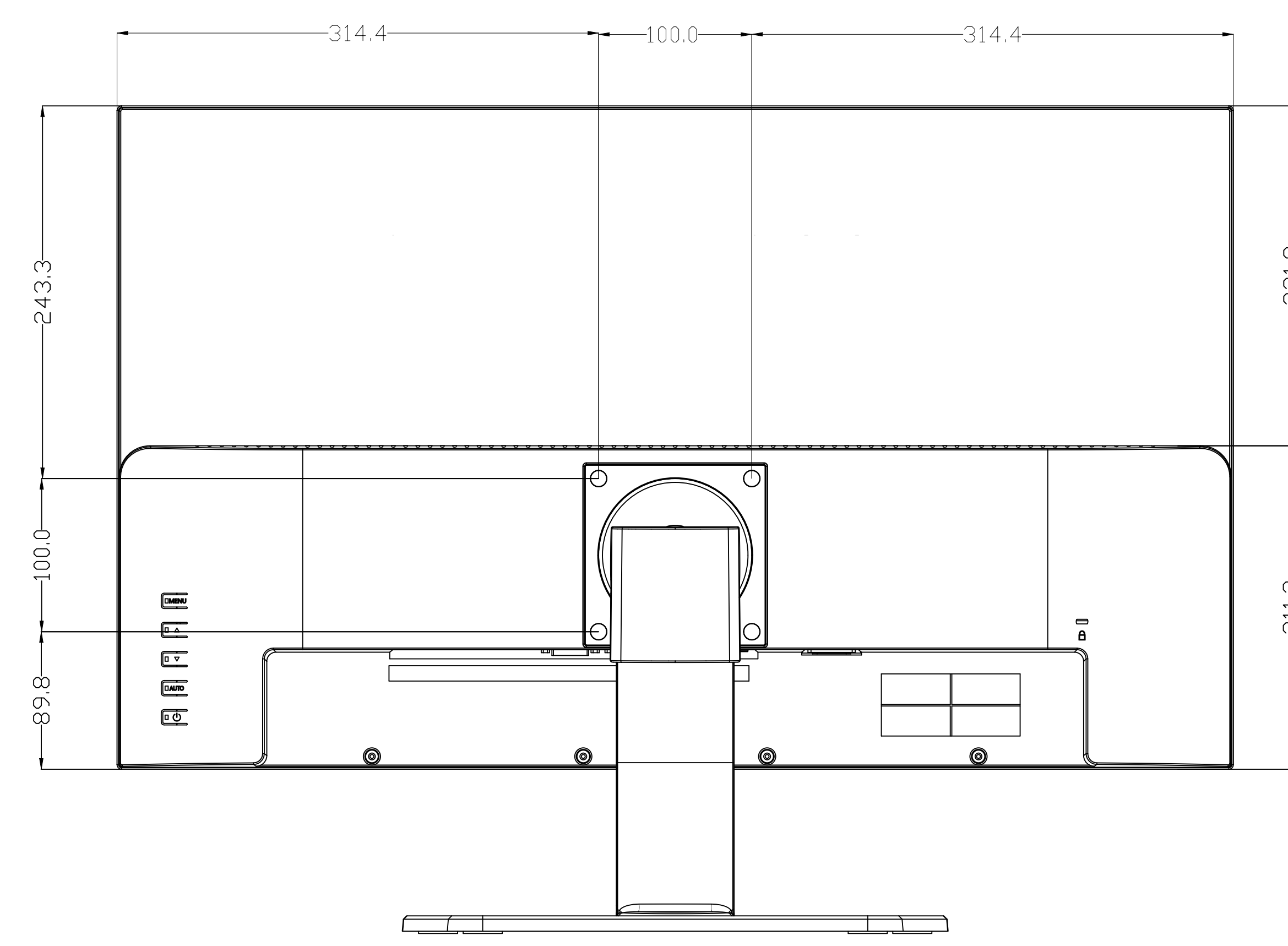
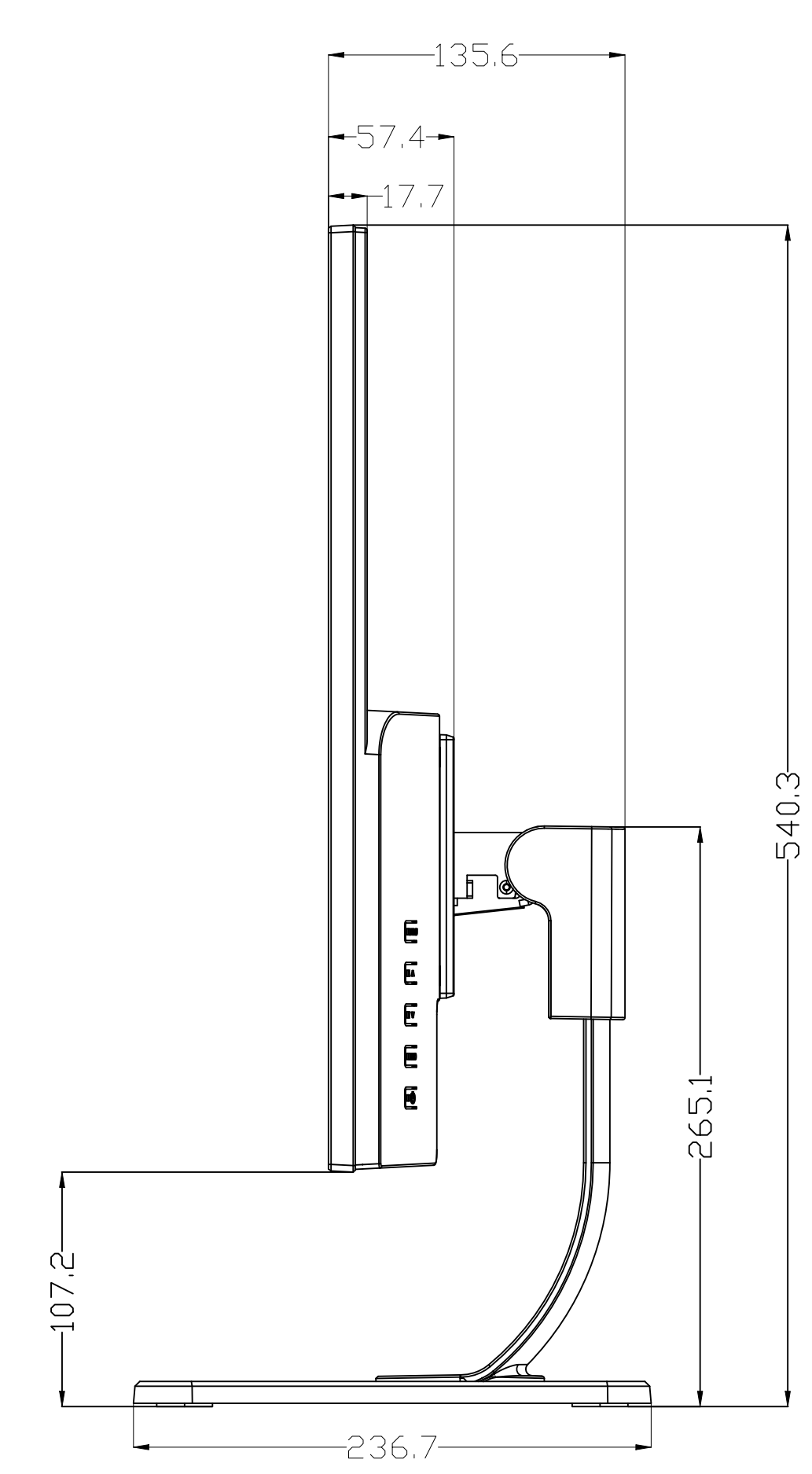
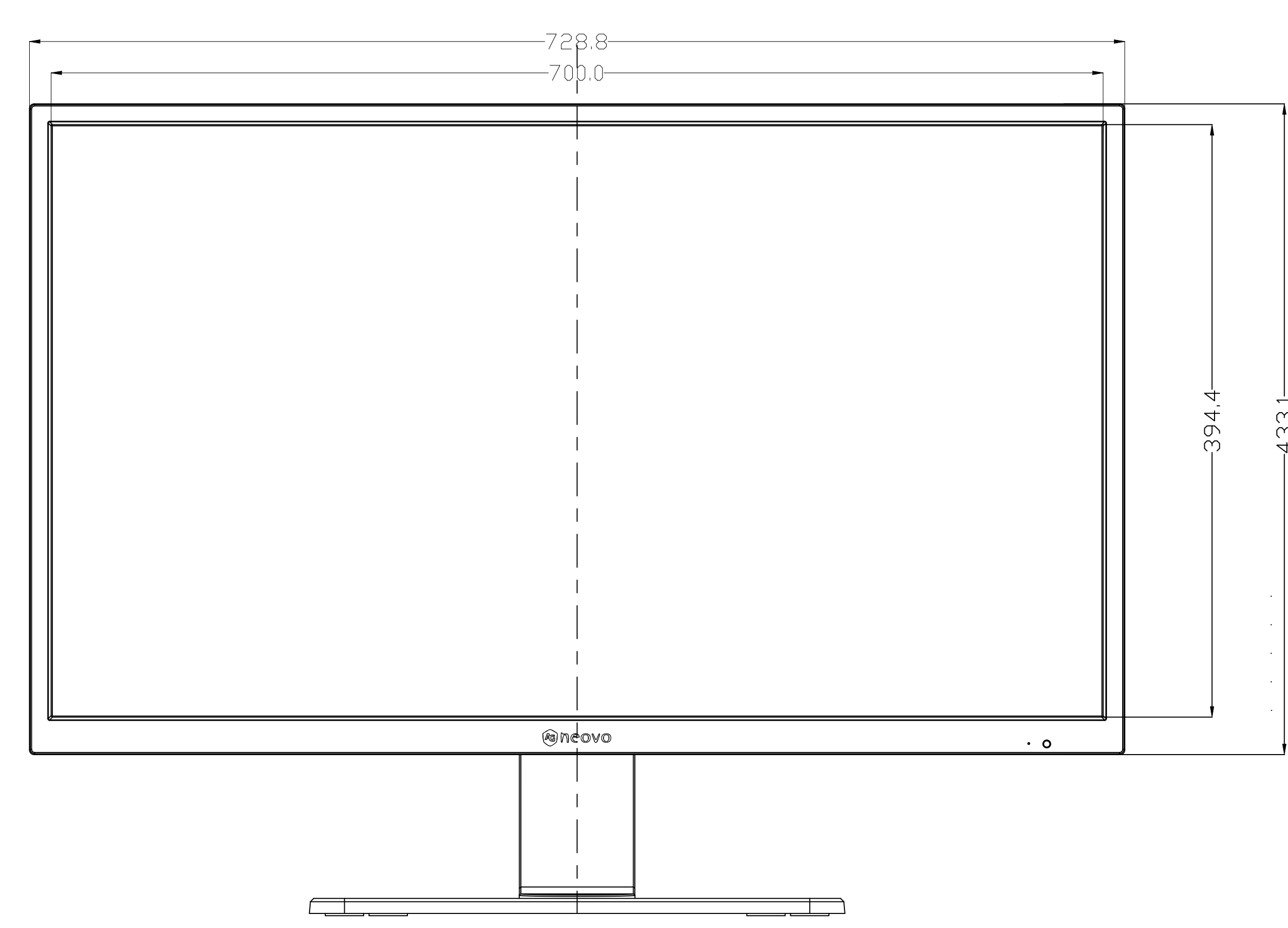
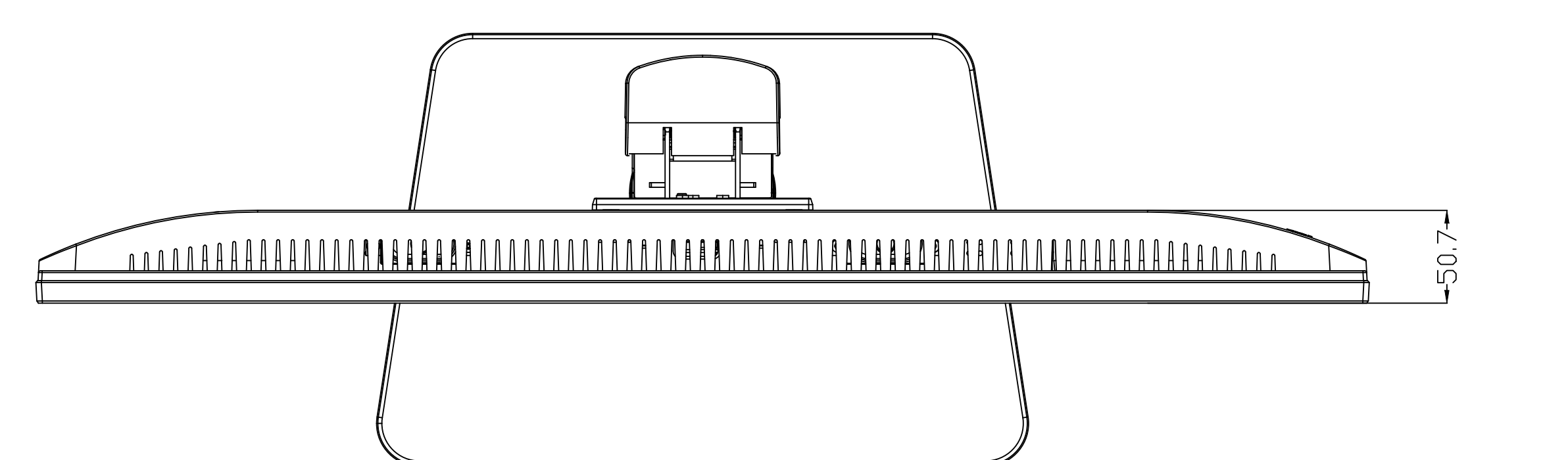
E

F


G

H

ME-3201
Netweight 8.7kg (with stand)
5.6kg (w/o stand)



SPECIFICATIONS SUBJECT TO CHANGE WITHOUT NOTICE.

 www.agneovo.com	Model Name:	
	ME-3201	
<small>THIS DRAWING ON THIS PRINT AND INFORMATION BELONG WITH AG Neovo. ANY REPRODUCTION IN PART OR WHOLE WITHOUT WRITTEN PERMISSION OF AG Neovo IS PROHIBITED.</small>	P/N: ME3210	
	SCALE	UNITS mm

1 2 3 4 5 6 7 8 9 10 11