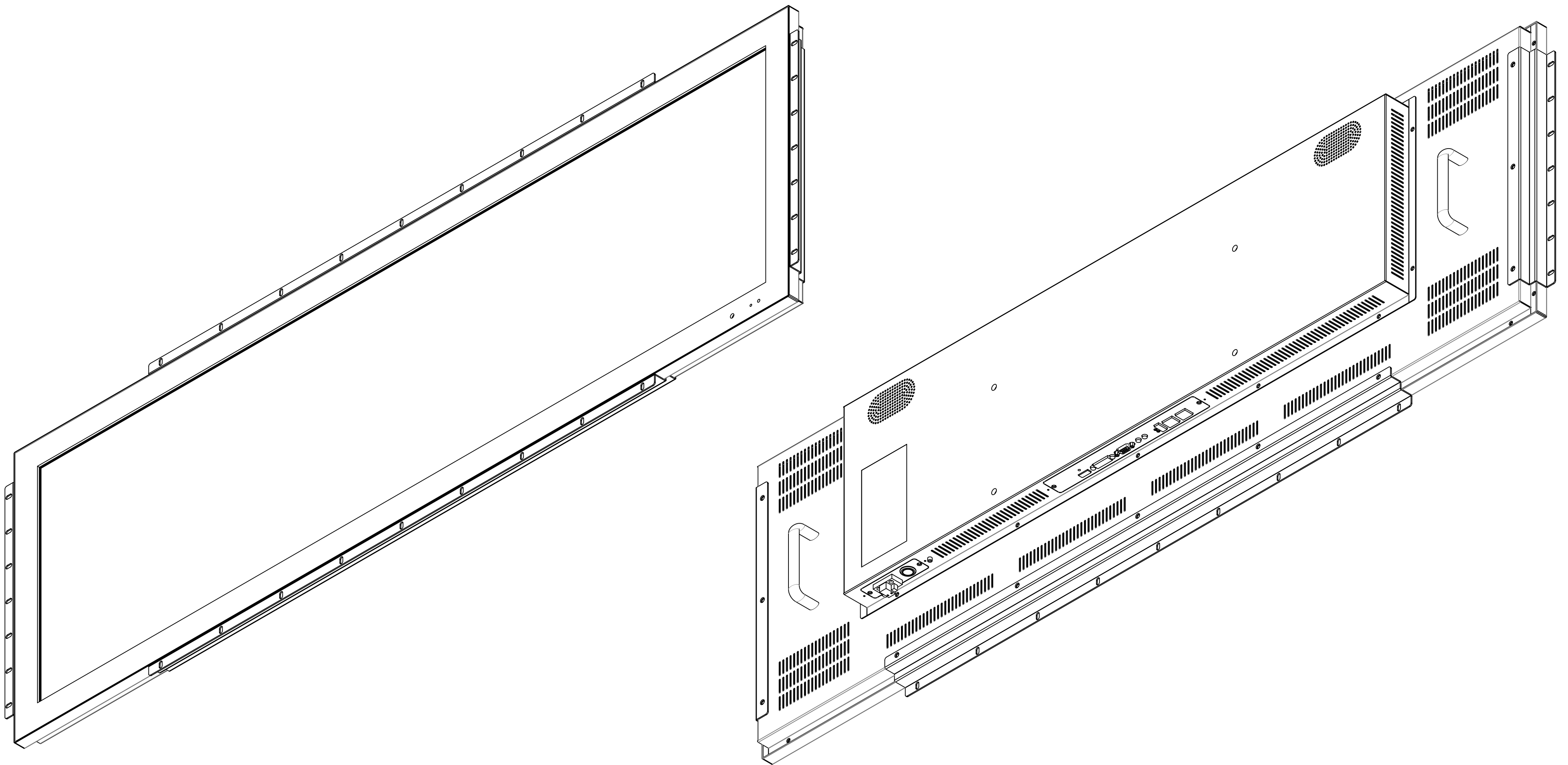
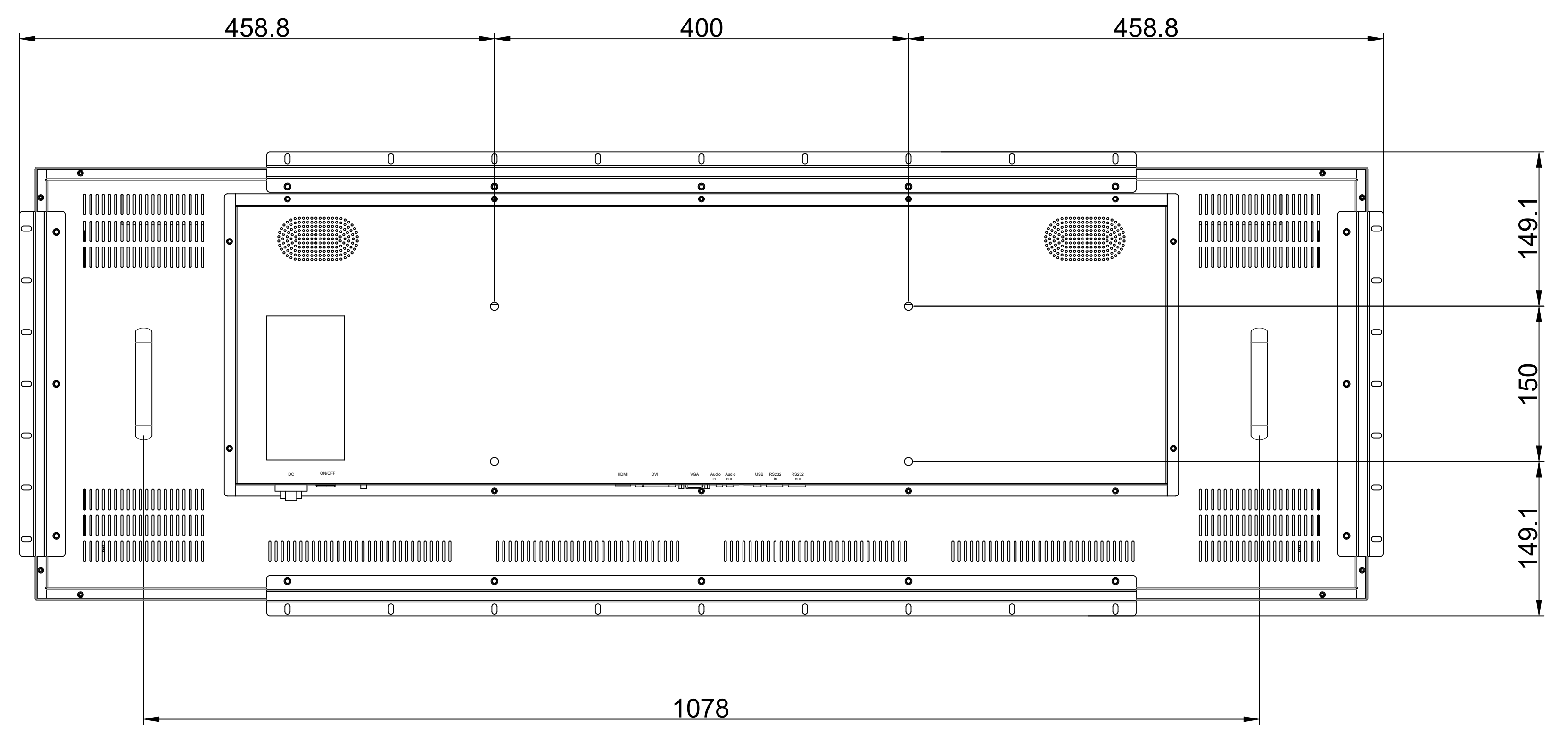
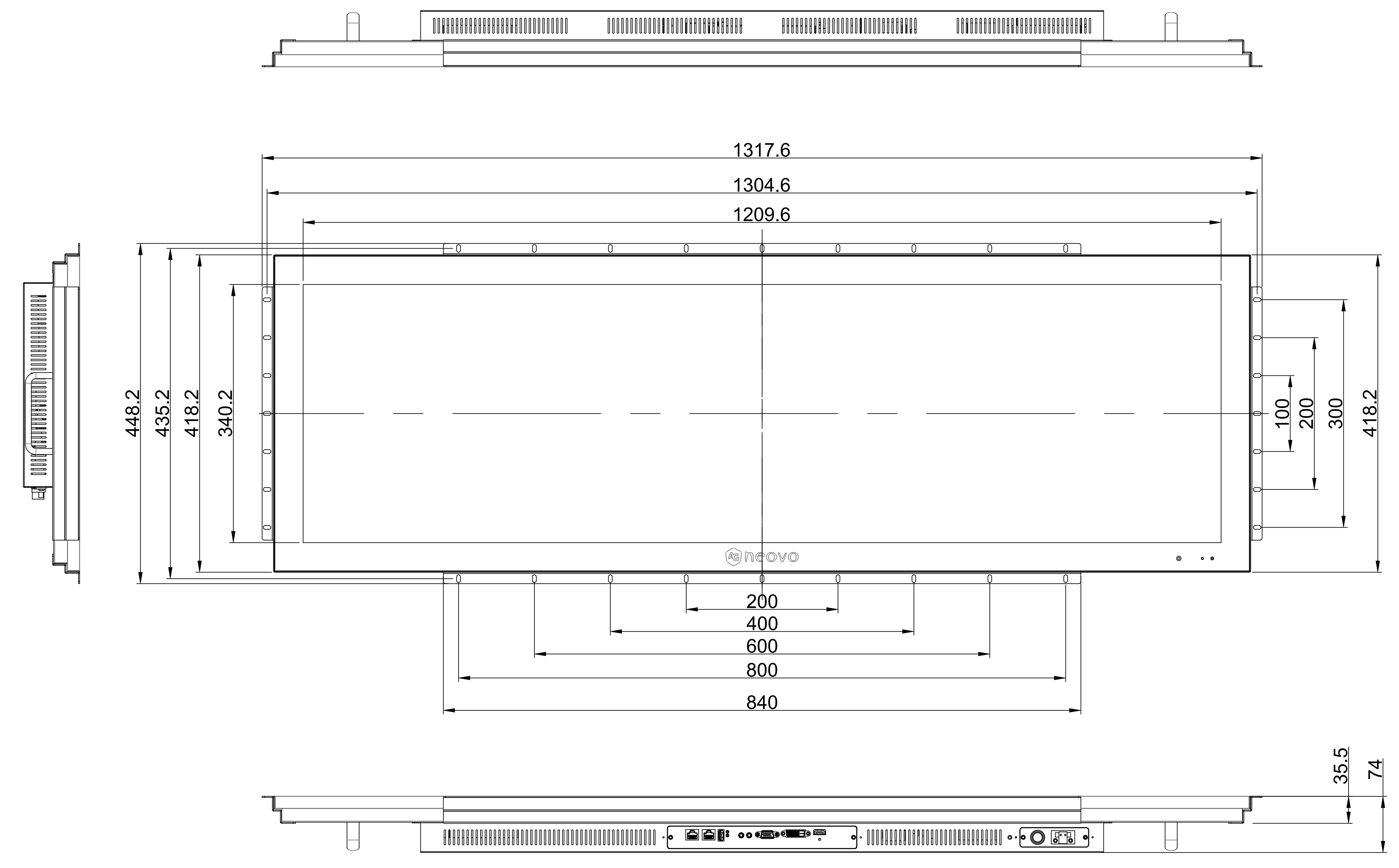


DS494PMB

Net weight : 24.0kg



SPECIFICATIONS SUBJECT TO CHANGE WITHOUT NOTICE.

 www.agneovo.com	Model Name:		DS494PMB	
	<small>THIS DRAWING ON THIS PRINT AND INFORMATION BELONG WITH AG Neovo. ANY REPRODUCTION IN PART OR WHOLE WITHOUT WRITTEN PERMISSION OF AG Neovo IS PROHIBITED.</small>		 <small>THIRD ANGLE PROJECTION</small>	P/N: DS4940 SCALE 1:1 UNITS mm V.1.01