

EM2401QC 24-INCH 1440P USB-C MONITOR WITH ERGONOMIC STAND

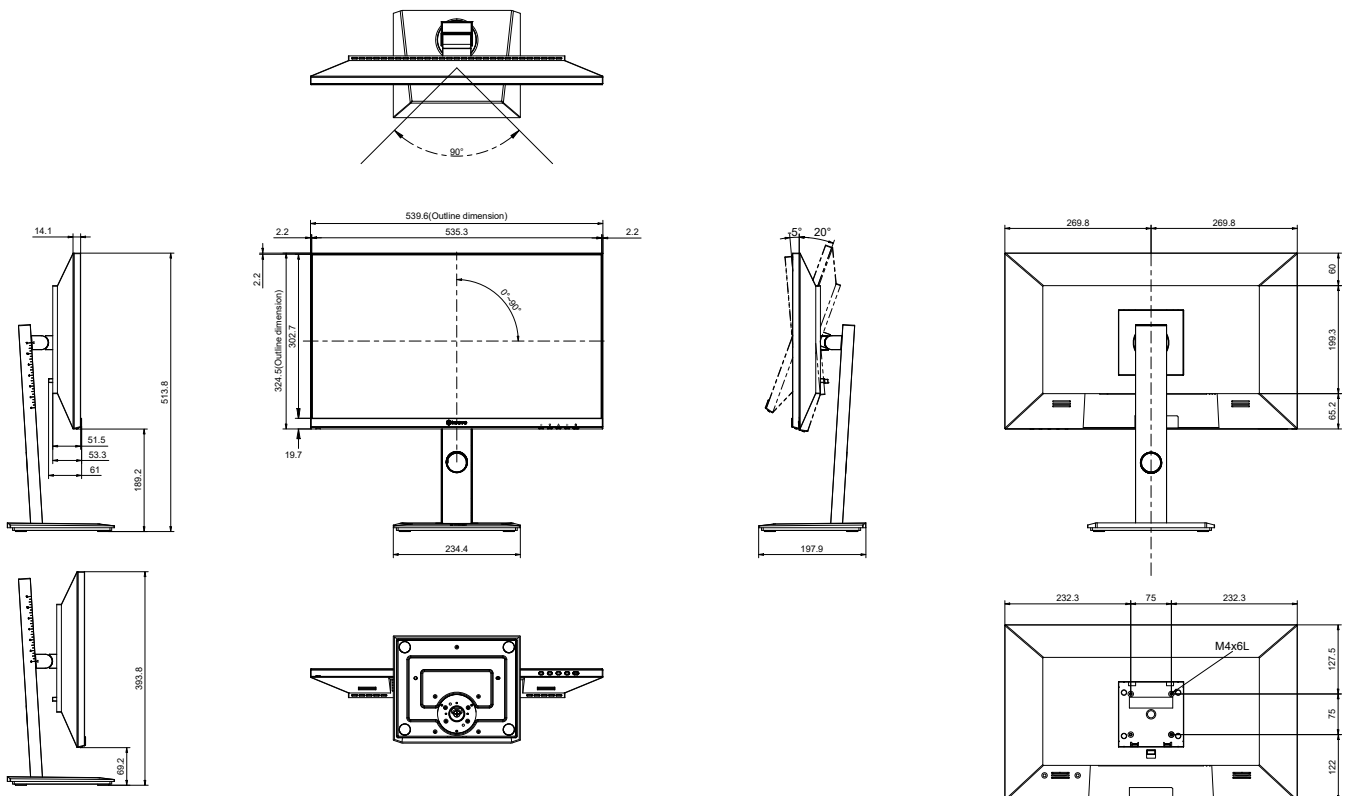


FEATURES

- WQHD 1440p Resolution with 16:9 aspect ratio
- USB Type C one-cable connectivity provides up to 65W charging power, video, audio and data transmission
- Full function ergonomic stand, including -5° ~ 20° tilt, 45° swivel, 90° pivot and 120mm height adjustment
- IPS-panel ensures the images to be clear in every viewing angle
- 115% NTSC, 105% DCI-P3, 133% sRGB, and 115% AdobeRGB color range
- PiP/PbP multiple windows from different input sources
- Eye Care: Flicker-free and Blue Light Filter technology reduces eye discomfort
- HDMI, DisplayPort and dual 2W speakers for multimedia content
- Compatible with 75 x 75mm VESA mounting standard

The EM2401QC 24-Inch USB-C monitor is designed to provide a productive workspace for multitasking on a single screen at the office and home. With a one-cable solution, it is easy to connect the laptop or tablet while charging the device, allowing you to start working quickly. In addition, the monitor features 2560 x 1440 resolution, wide viewing angle and richer color performance, delivering crisp and accurate image performance in detail. Its full-function ergonomic stand allows you to build a productive and comfortable working environment for document editing, web design, artwork creation and video production.

TECHNICAL DRAWING



SPECIFICATIONS

Panel

Panel Type	LED-Backlit TFT LCD (IPS Technology)
Panel Size	23.8"
Max. Resolution	WQHD 2560 x 1440
Pixel Pitch	0.206 mm
Brightness	300 cd/m ²
Contrast Ratio	1000000:1(DCR)
Viewing Angle (H/V)	178°/178°
Display Colour	16.7M
Colour Gamut	sRGB 133% , NTSC 115% , DCI-P3 105% , Adobe RGB 115%
Response Time	5 ms
Surface Treatment	Anti-Glare Treatment (Haze 25%), 3H Hard Coating

Frequency

Frequency (H)	30 kHz-112 kHz
Frequency (V)	50 Hz-76 Hz

Signal Input

DisplayPort	1.2 x 1
HDMI	2.0 x 1

Other Connectivity

USB	Type-C x 1 (PD 65W)
-----	----------------------

Audio

Audio Out	Stereo Audio Jack (3.5 mm)
Internal Speakers	2W x 2

Power

Power Requirements	AC 100-240V, 50/60 Hz 2.0A
On Mode	17W (On)
Standby Mode	< 0.5W
Off Mode	< 0.3W
Power Supply	Internal

Operating Conditions

Temperature	0°C-40°C (32°F-104°F)
Humidity	10%-90% (non-condensing)

Storage Conditions

Temperature	-20°C-60°C (-4°F-140°F)
Humidity	5%-95% (non-condensing)

Mounting

VESA FPM/PMI	Yes (75 x 75 mm)
--------------	------------------

Stand

Tilt	-5° to 20°
Pivot	0° to 90°
Swivel	± 45°
Height Adjustment	0-120 mm

Dimensions

Product with Base (W x H x D)	539.6 x 513.8 x 197.9 mm (21.2" x 20.2" x 7.8")
Product w/o Base (W x H x D)	539.6 x 324.5 x 53.3 mm (21.2" x 12.8" x 2.1")
Packaging (W x H x D)	810.0 x 438.0 x 145.0 mm (31.9" x 17.2" x 5.7")

Weight

Product with Base	5.8 kg (12.8 lb)
Product w/o Base	3.9 kg (8.6 lb)
Packaging	8.5 kg (18.7 lb)

Regulation Approval

Certifications & Compliance	CE, LVD, WEEE, RoHS, REACH, UKCA, FCC, ICES 003, EAC
-----------------------------	--

Accessories

Supplied	HDMI Cable, Power Cord, Quick Start Guide, Screw Stud, USB-C Cable, Warranty Card
----------	---

Optional Accessories

Desk mount	DMC-01, DMC-02D, DMS-01D, ES-02
Wall Mount	PMK-01, WMA-01, WMK-01

