

TX-2401 WHITE TOUCH SCREEN MONITOR

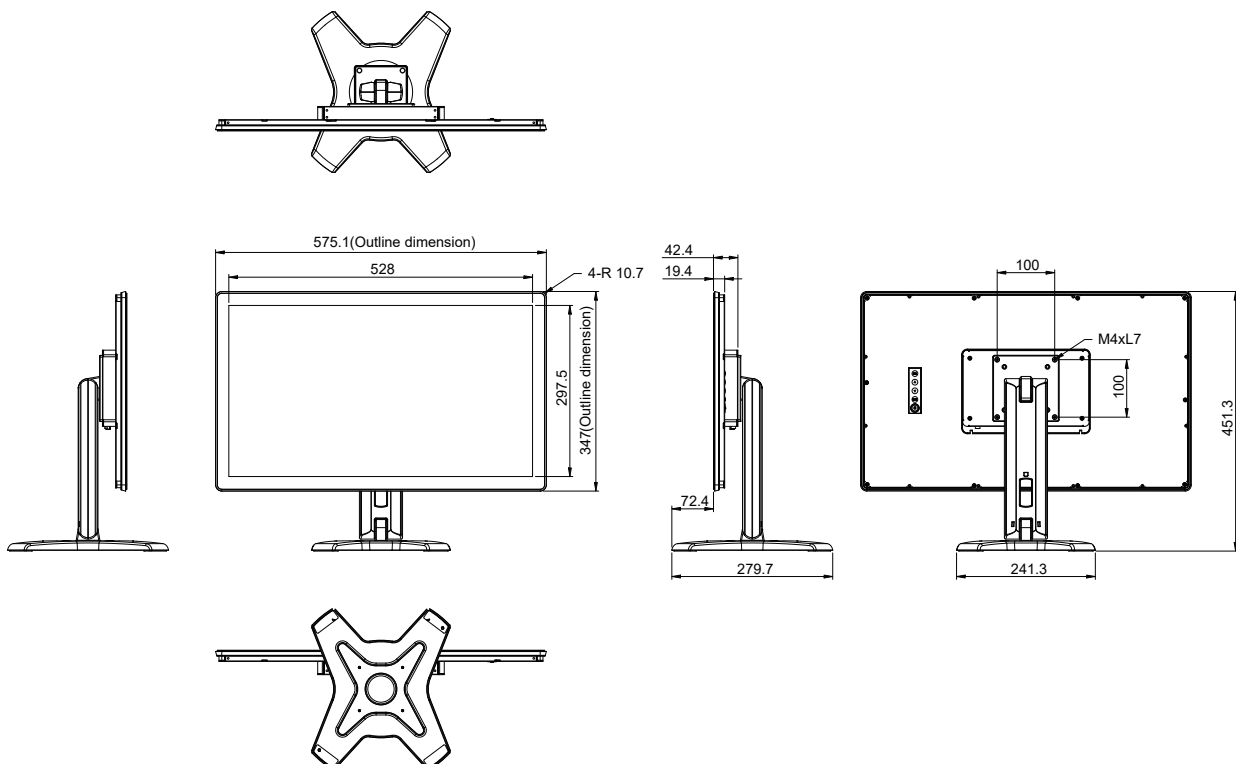


FEATURES

- FHD 1920 x 1080 resolution
- PCAP touch technology with 10-point multi-touch capability
- 178°/178° wide viewing angles offer consistent colour performance
- Front-sided IP65 rating protects the screen from liquid and dust
- IK08 impact-resistant touch screen allows vandal-proof in public
- White exterior design for easy contaminant detection
- Medical adaptor certified to IEC/EN 60601-1 and IEC/EN 60601-1-2 medical standards
- Metal housing design
- Plastic resin bezels ensure seamless integration and protect from dust invasion
- Designed and developed for continuous 24/7 operation
- VESA mounting standard and optional side mounting brackets allow flexible installation in healthcare settings
- Monitor stand with built-in cable management for keeping cables organised

The TX-2401 White touch screen monitor adopts PCAP touch technology that is relatively unaffected by surface contaminants and allows 10-point multi-touch capabilities, offering an accurate and responsive touch experience. It is even responsive to latex gloves. Featuring a medical-grade power supply and versatile connectivity (e.g., DisplayPort, HDMI, and VGA inputs), the TX-2401 White is built for flexible use, such as patient check-in, patient queue management, medical research laboratories, or medical computer carts. The monitor is complemented by front IP65 and IK08 ratings, white metal casing, and an edge-to-edge 7H tempered glass overlay, ensuring durability and easy cleaning for continuous operation in healthcare environments.

TECHNICAL DRAWING



SPECIFICATIONS

Panel

| | |
|---------------------|-------------------------------------|
| Panel Type | LED-Backlit TFT LCD (VA Technology) |
| Panel Size | 23.8 |
| Max. Resolution | FHD 1920 x 1080 |
| Pixel Pitch | 0.274 mm |
| Brightness | 250 cd/m ² |
| Contrast Ratio | 3000:1 |
| Viewing Angle (H/V) | 178°/178° |
| Display Colour | 16.7M |
| Response Time | 5 ms |

Frequency

| | |
|---------------|---------------|
| Frequency (H) | 30 kHz-84 kHz |
| Frequency (V) | 56 Hz-76 Hz |

Signal Input

| | |
|-------------|------------------|
| DisplayPort | 1.2a x 1 |
| HDMI | 1.3 x 1 |
| VGA | 15-Pin D-Sub x 1 |

Audio

| | |
|-----------|----------------------------|
| Audio Out | Stereo Audio Jack (3.5 mm) |
|-----------|----------------------------|

Touch Screen

| | |
|--------------------------------|--|
| Technology | Projective Capacitive |
| Positional Accuracy | ±2.5 mm |
| Panel Interface | USB (Type-B) / Service Port |
| Multi-touch Plug & Play | 10-point touch for Windows® 7/8/10/11, Linux/Android 2.6.36 or later, Mac OS 10.11-10.14 |
| Single Touch Support by Driver | 1 point touch for Windows XP/Embedded/7/8/10/11, Linux/Android 2.6.35 and older |

Power

| | |
|--------------------|--------------|
| Power Supply | External |
| Power Requirements | DC 12V, 2.5A |
| On Mode | 17 W (On) |
| Standby Mode | < 0.4W |
| Off Mode | < 0.2W |

Glass

| | |
|-------------------|----------------|
| Surface Treatment | Clear Glass |
| Thickness | 3.3 mm (0.13") |
| MOHS Hardness | 5 |
| IK Rating | IK07 |

Durability and Protection

| | |
|-----------|------------------|
| IP Rating | Front-Sided IP65 |
|-----------|------------------|

Operating Conditions

| | |
|-------------|--------------------------|
| Temperature | 0°C-40°C (32°F-104°F) |
| Humidity | 20%-80% (non-condensing) |

Storage Conditions

| | |
|-------------|--------------------------|
| Temperature | -20°C-60°C (-4°F-140°F) |
| Humidity | 10%-90% (non-condensing) |

Mounting

| | |
|--------------|--------------------|
| VESA FPM PMI | Yes (100 x 100 mm) |
|--------------|--------------------|

Dimensions

| | |
|-------------------------------|--|
| Product with Base (W x H x D) | 575.1 x 451.3 x 279.7 mm (22.6" x 17.8" x 11.0") |
| Product w/o Base (W x H x D) | 575.1 x 347.0 x 42.4 mm (22.6" x 13.7" x 1.7") |
| Packaging (W x H x D) | 370.0 x 530.0 x 660.0 mm (14.6" x 20.9" x 26.0") |

Weight

| | |
|-------------------|-------------------|
| Product w/o Base | 5.7 kg (12.6 lb) |
| Product with Base | 7.8 kg (17.2 lb) |
| Packaging | 11.4 kg (25.1 lb) |

Regulation Approval

| | |
|------------------------------|--|
| Certifications & Compliance | CE, LVD, UKCA, WEEE, RoHS, REACH, IEC/EN 60601-1, IEC/EN 60601-1-2 |
| Power Adaptor Certifications | CE, BSMI, CCC, CB, WEEE, cUL, FCC, PSE, IEC/EN 60601-1, IEC/EN 60601-1-2 |

Accessories

| | |
|----------|---|
| Supplied | Power Adaptor, Power Cord, VGA Cable, HDMI Cable, USB Cable, Quick Start Guide, Warranty Card |
|----------|---|

Optional Accessories

| | |
|-----------------------------|------------------------|
| Wall Mount (Landscape only) | WMK-01, WMK-03, PMK-01 |
|-----------------------------|------------------------|

