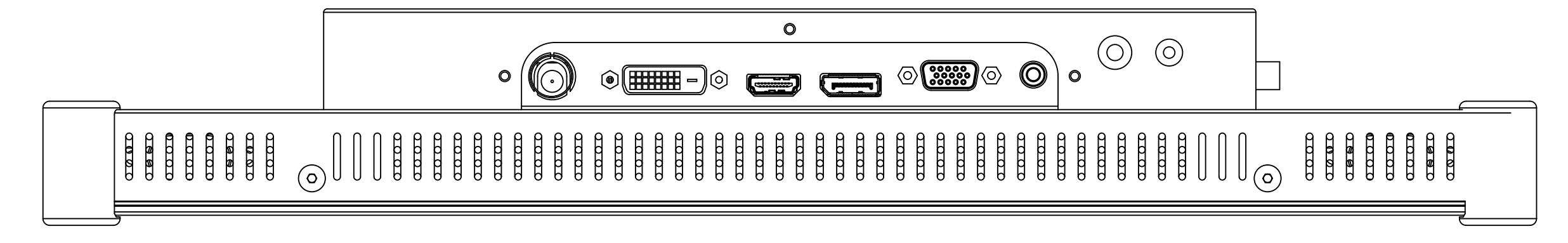
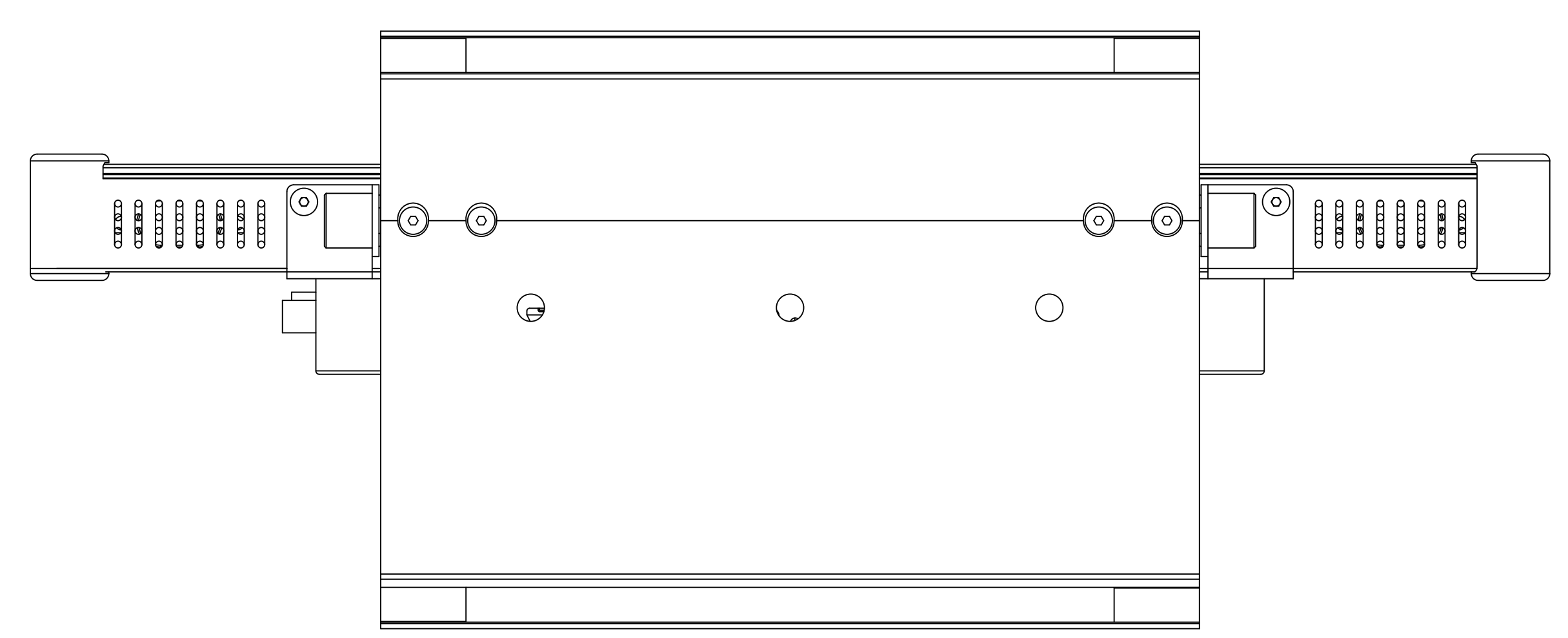
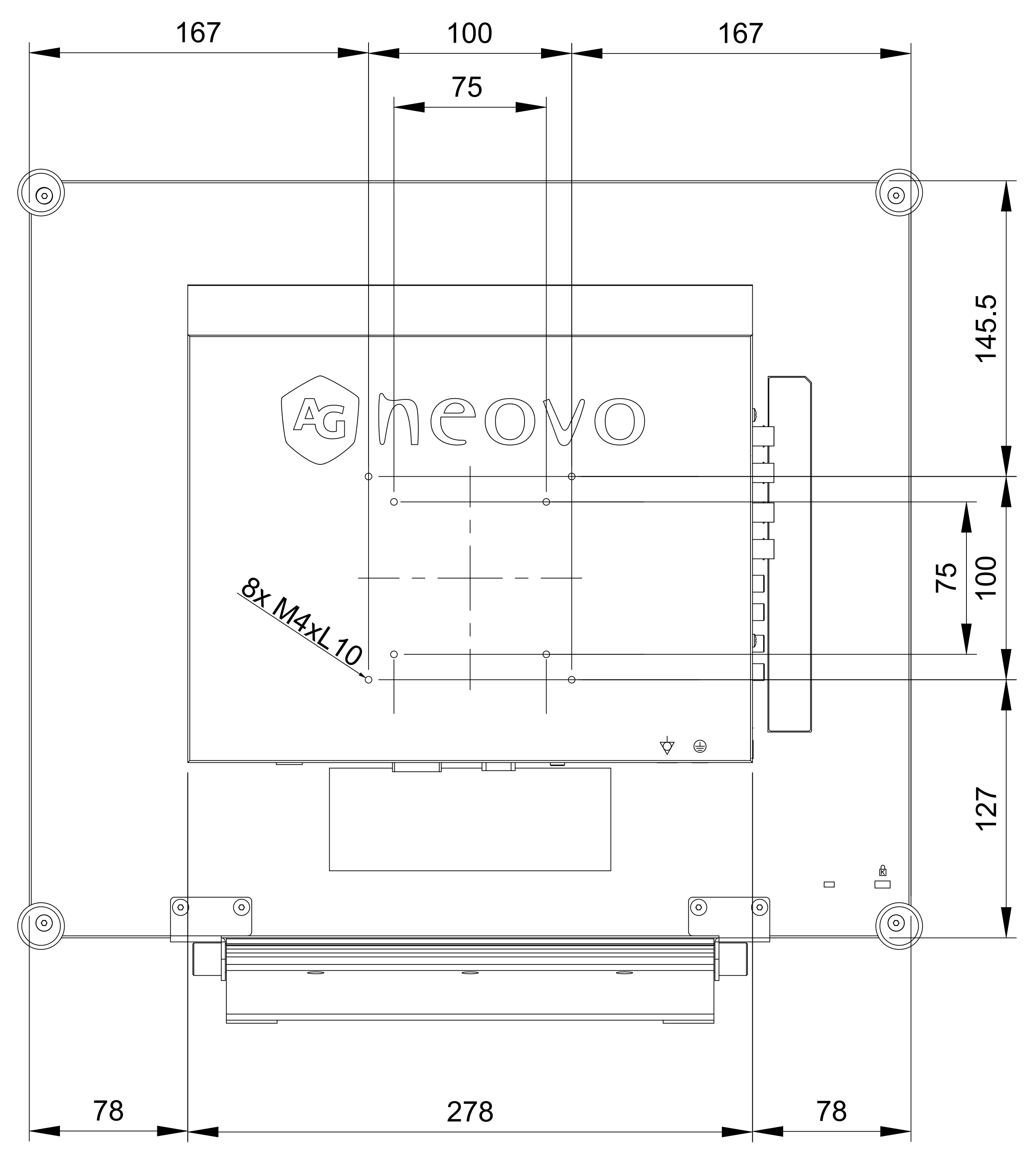
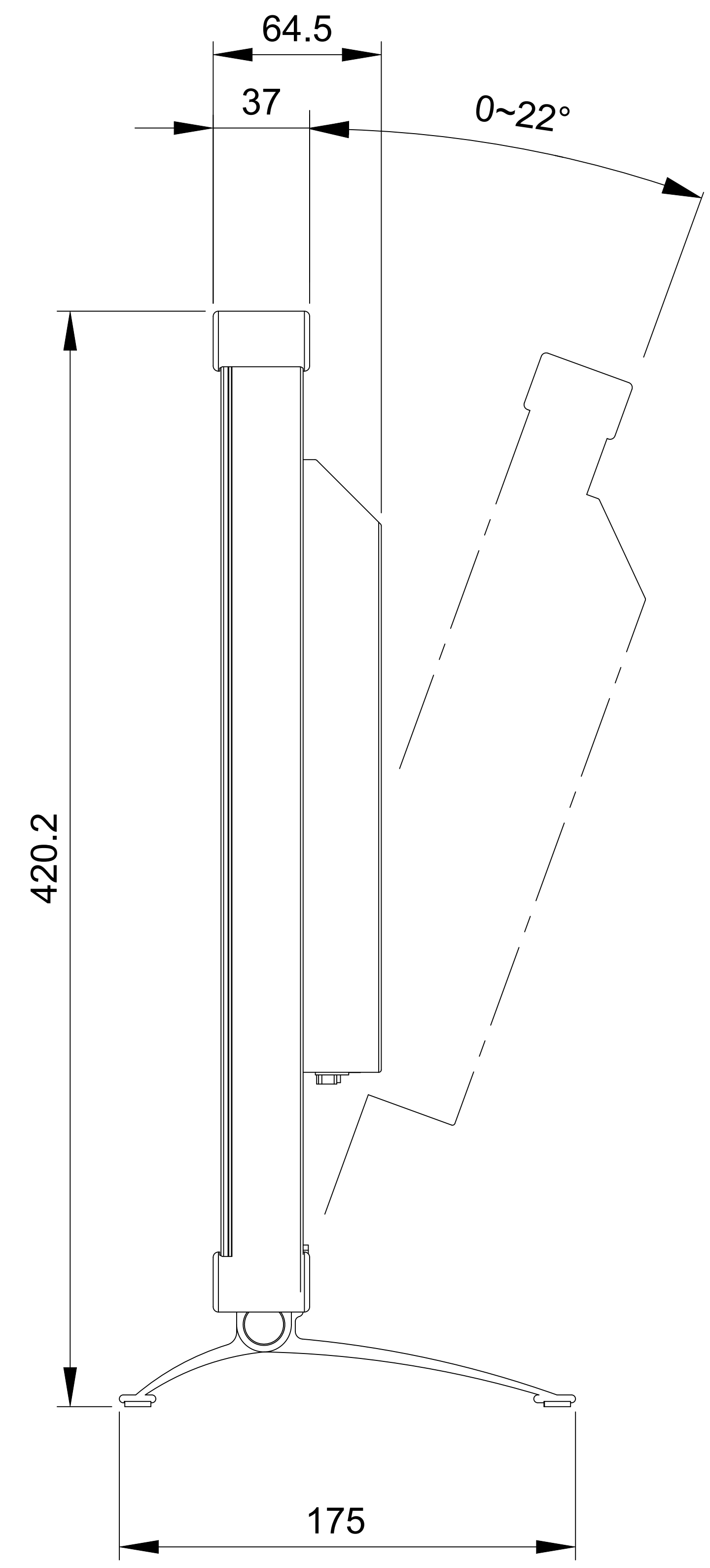
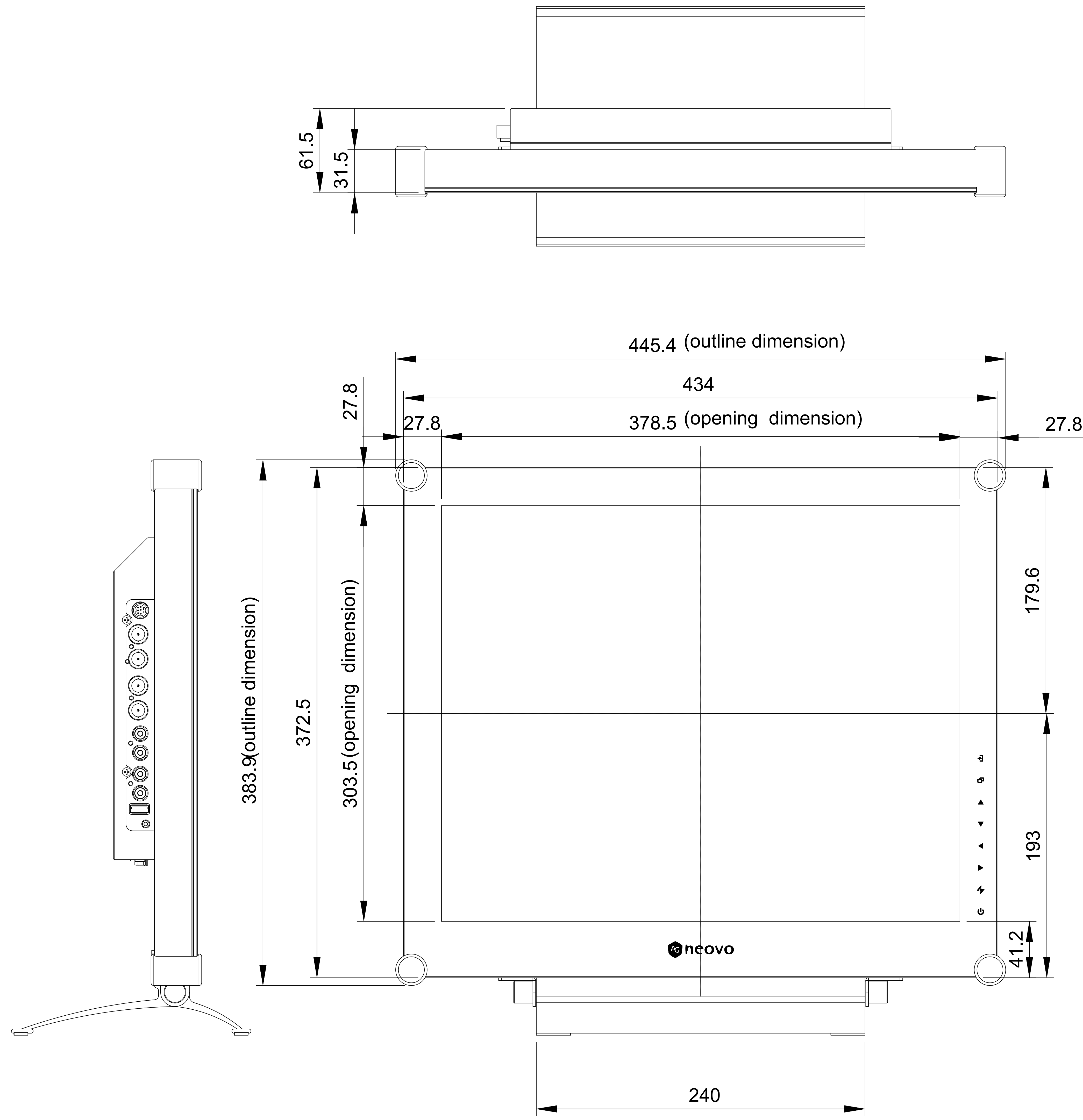


SX-19G

Net weight :6.9KG (with Stand)

6.1KG (w/o Stand)



SPECIFICATIONS SUBJECT TO CHANGE WITHOUT NOTICE.

		Model Name: <h2>SX-19G</h2>	
www.agneovo.com		P/C: SX9G00/SX9GA0	
THIS DRAWING ON THIS PRINT AND INFORMATION BELONG WITH AG Neovo. ANY REPRODUCTION IN PART OR WHOLE WITHOUT WRITTEN PERMISSION OF AG Neovo IS PROHIBITED.		THIRD ANGLE PROJECTION	SCALE: 1:1 UNITS: mm V.1.04