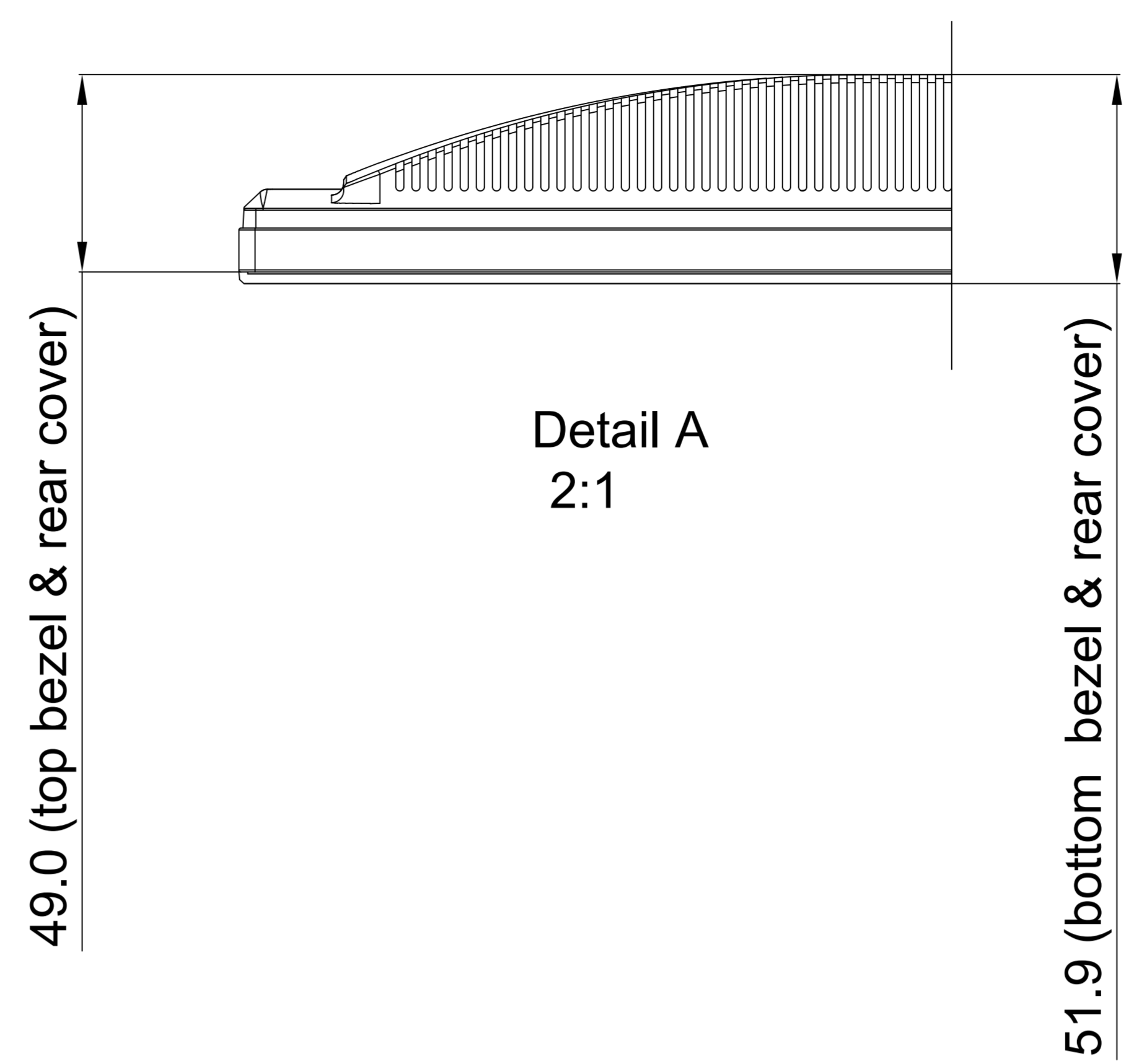
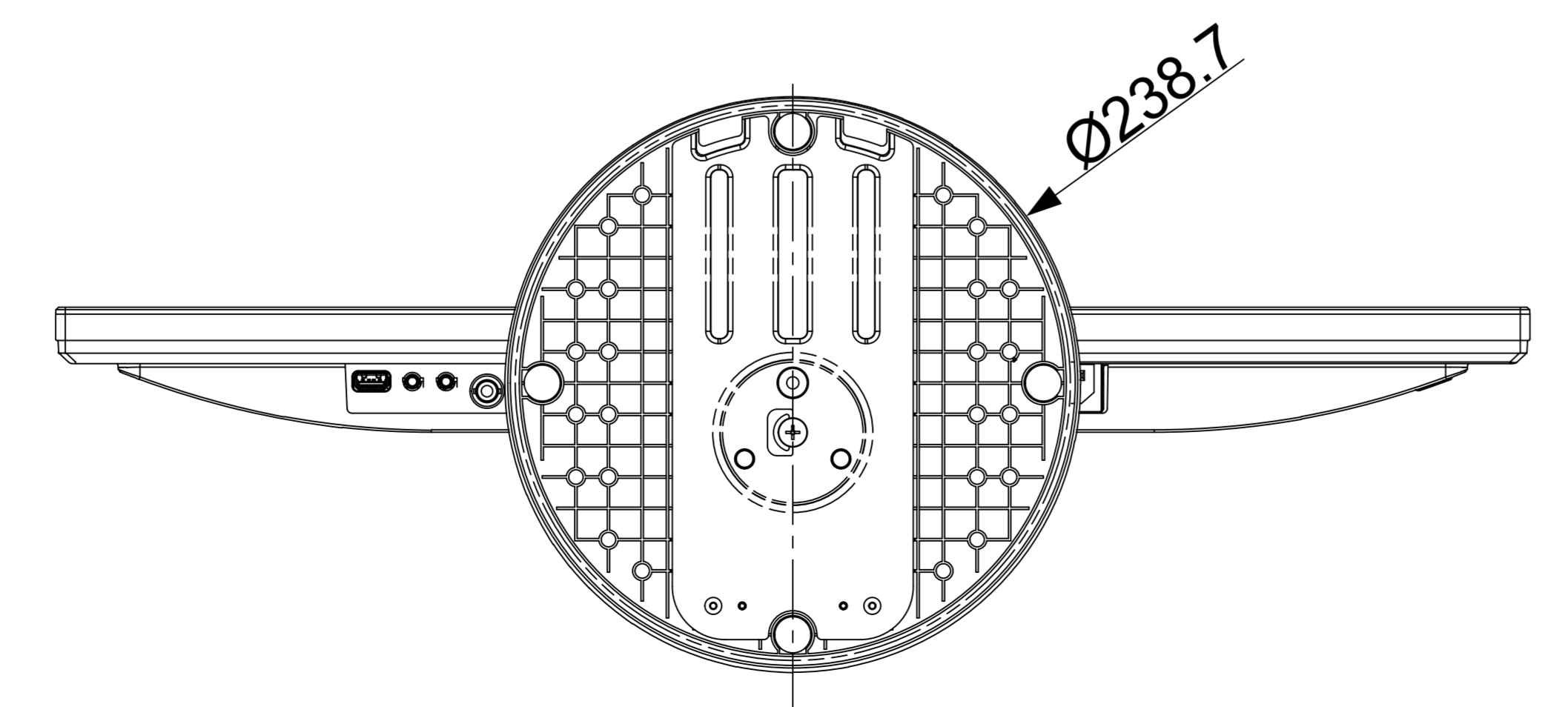
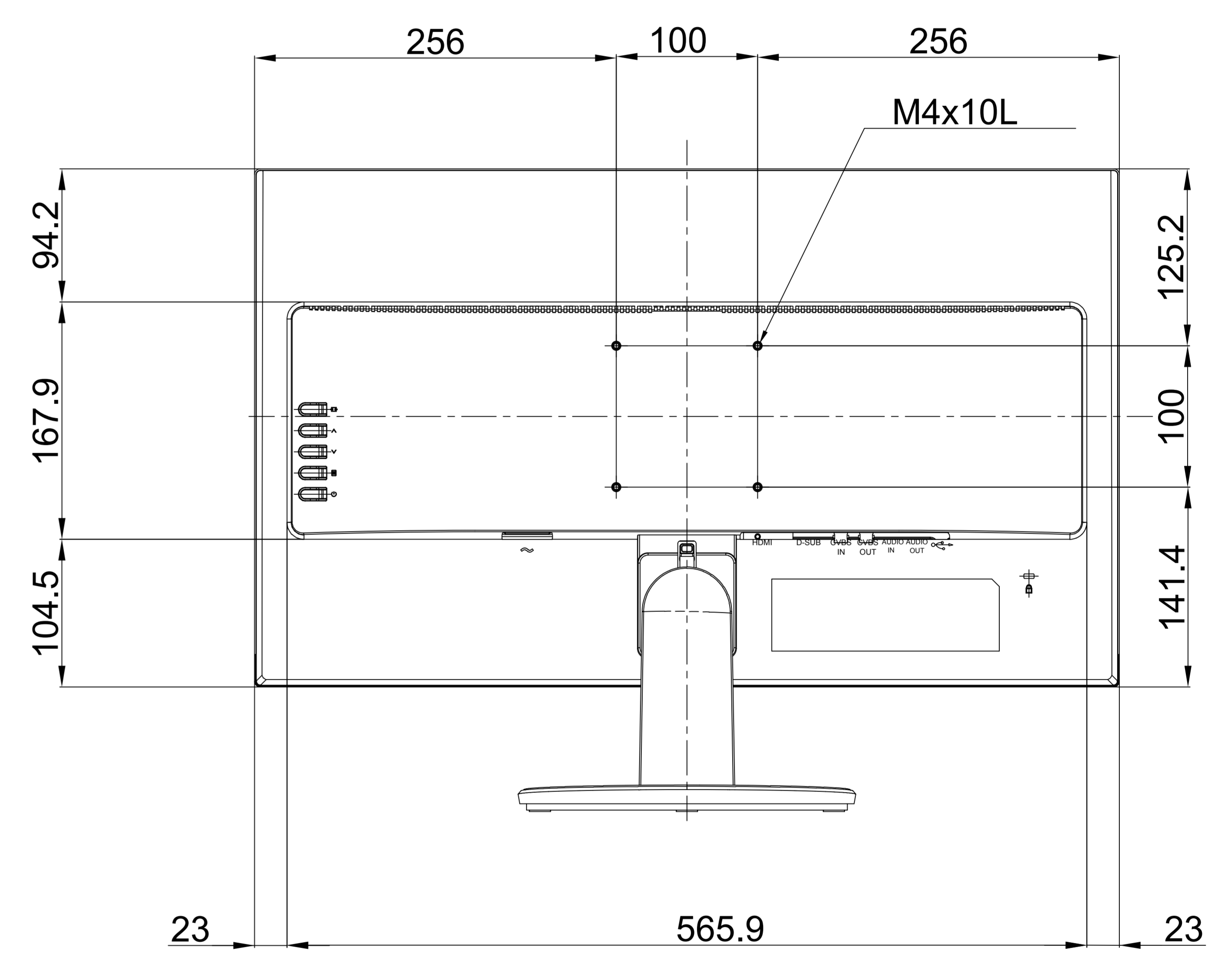
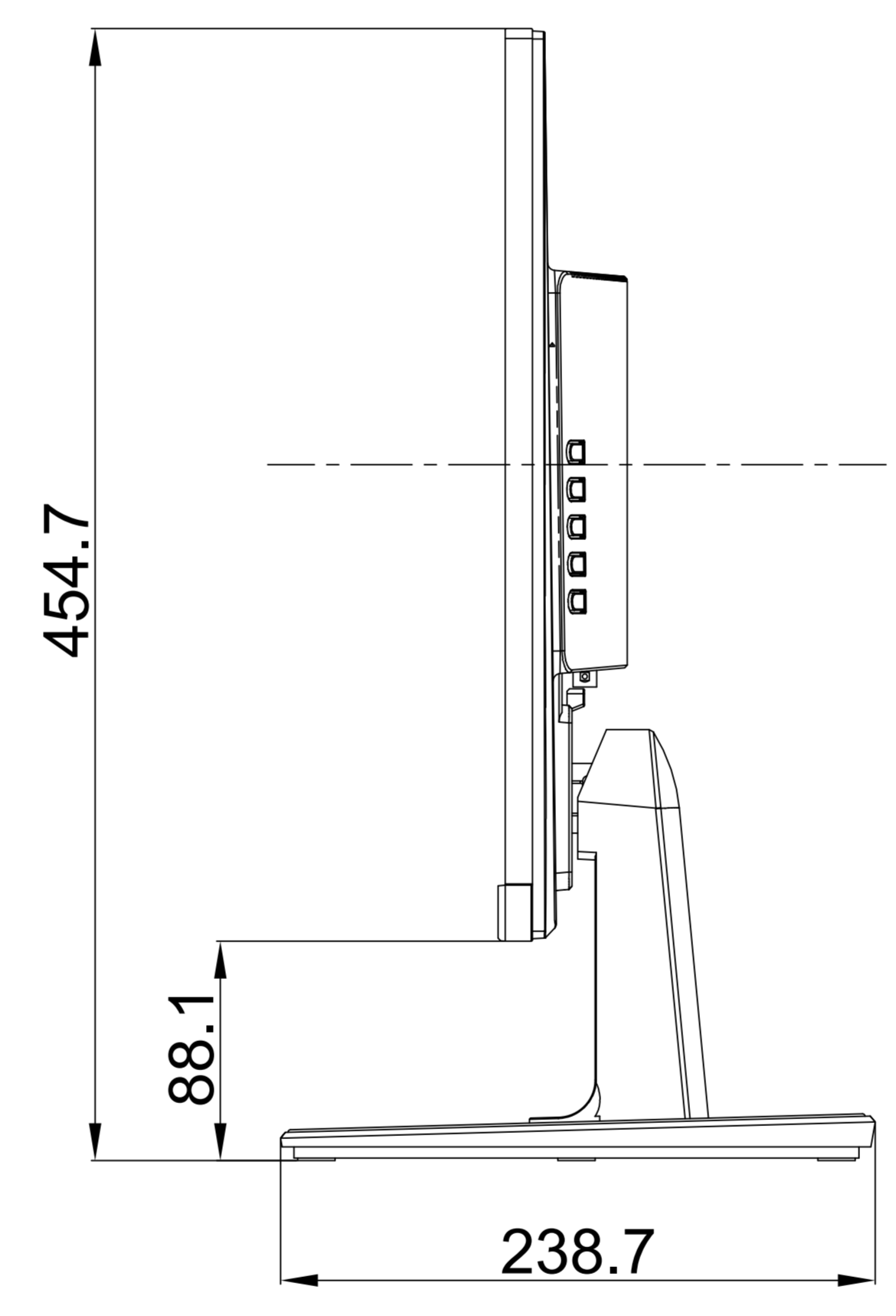
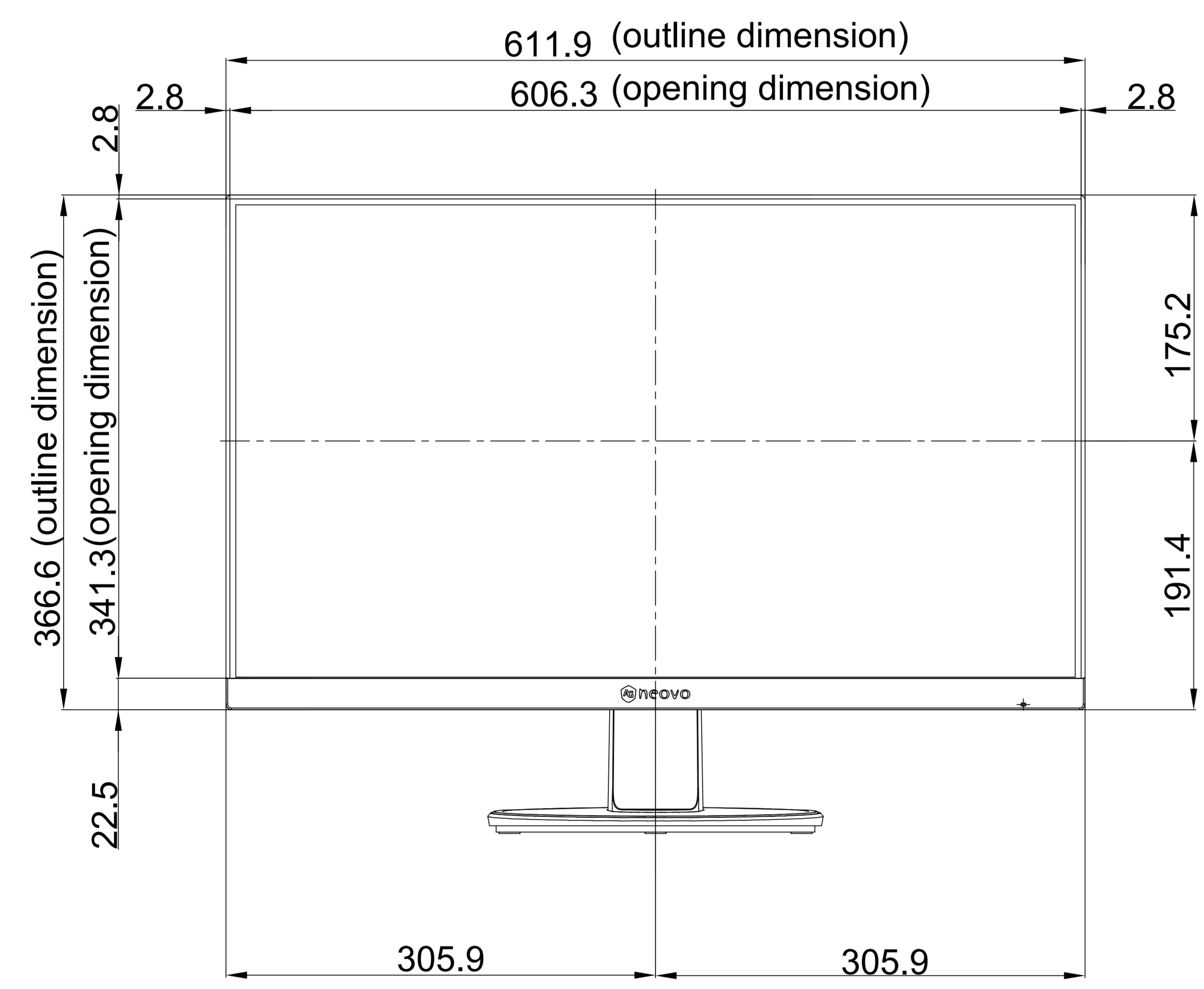
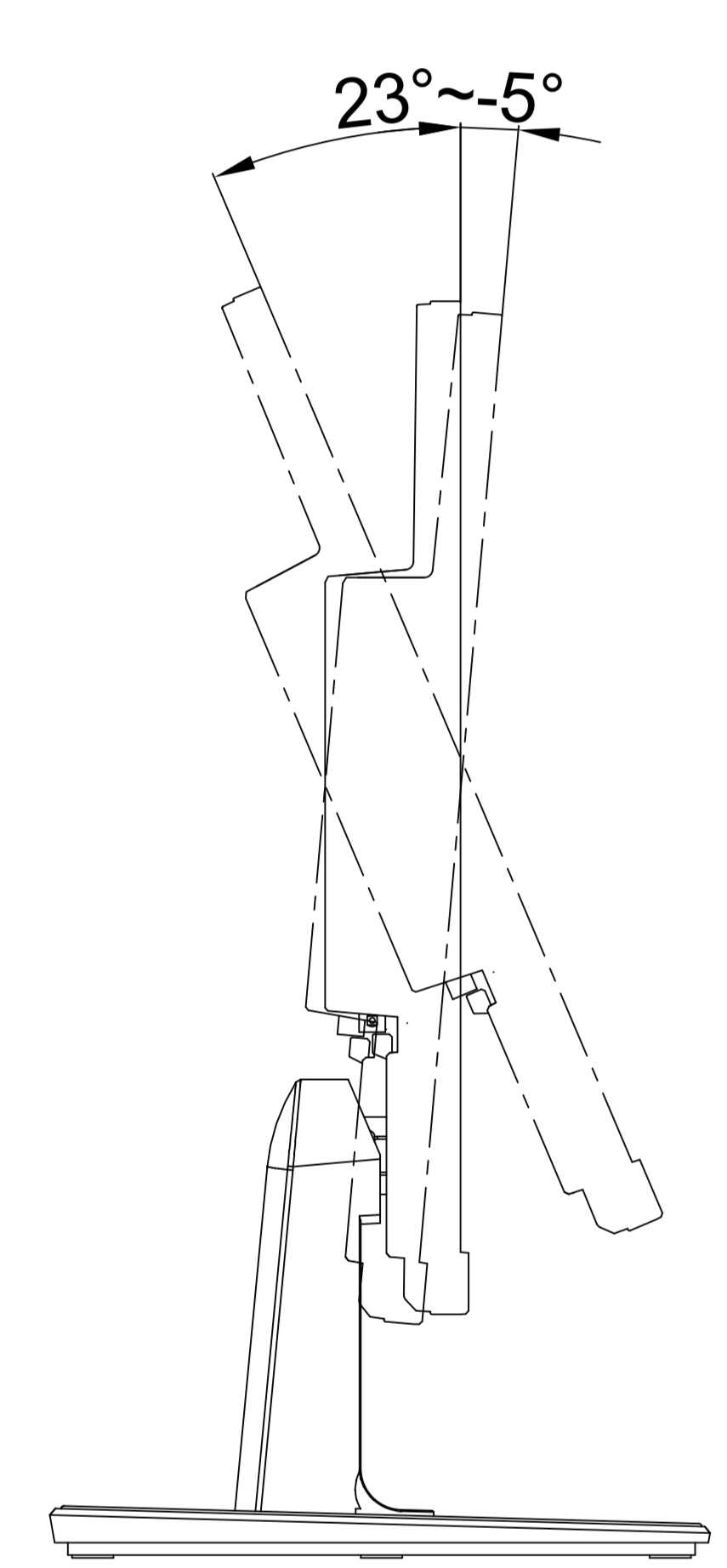


Detail A




Detail A  
2:1

SC-27E  
Net weight :5.3 kg (with stand)  
4.6 kg (w/o stand)



SPECIFICATIONS SUBJECT TO CHANGE WITHOUT NOTICE.

 www.agneovo.com	Model Name:	<b>SC-27E</b>
	<small>THIS DRAWING ON THIS PRINT AND INFORMATION BELONG WITH AG Neovo. ANY REPRODUCTION IN PART OR WHOLE WITHOUT WRITTEN PERMISSION OF AG Neovo IS PROHIBITED.</small>	P/C:S27E00
SCALE	1:1	UNITS mm V.1.04