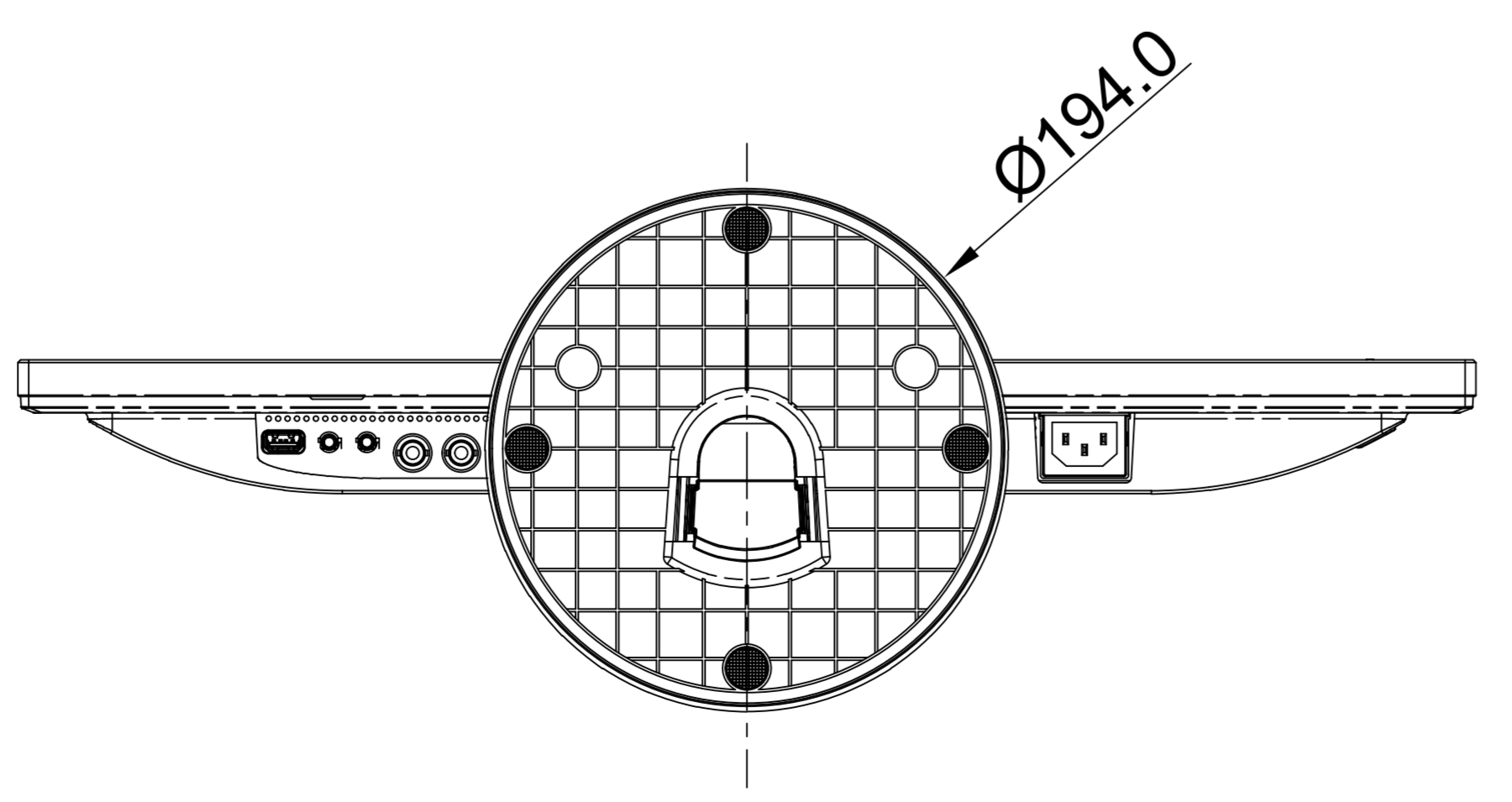
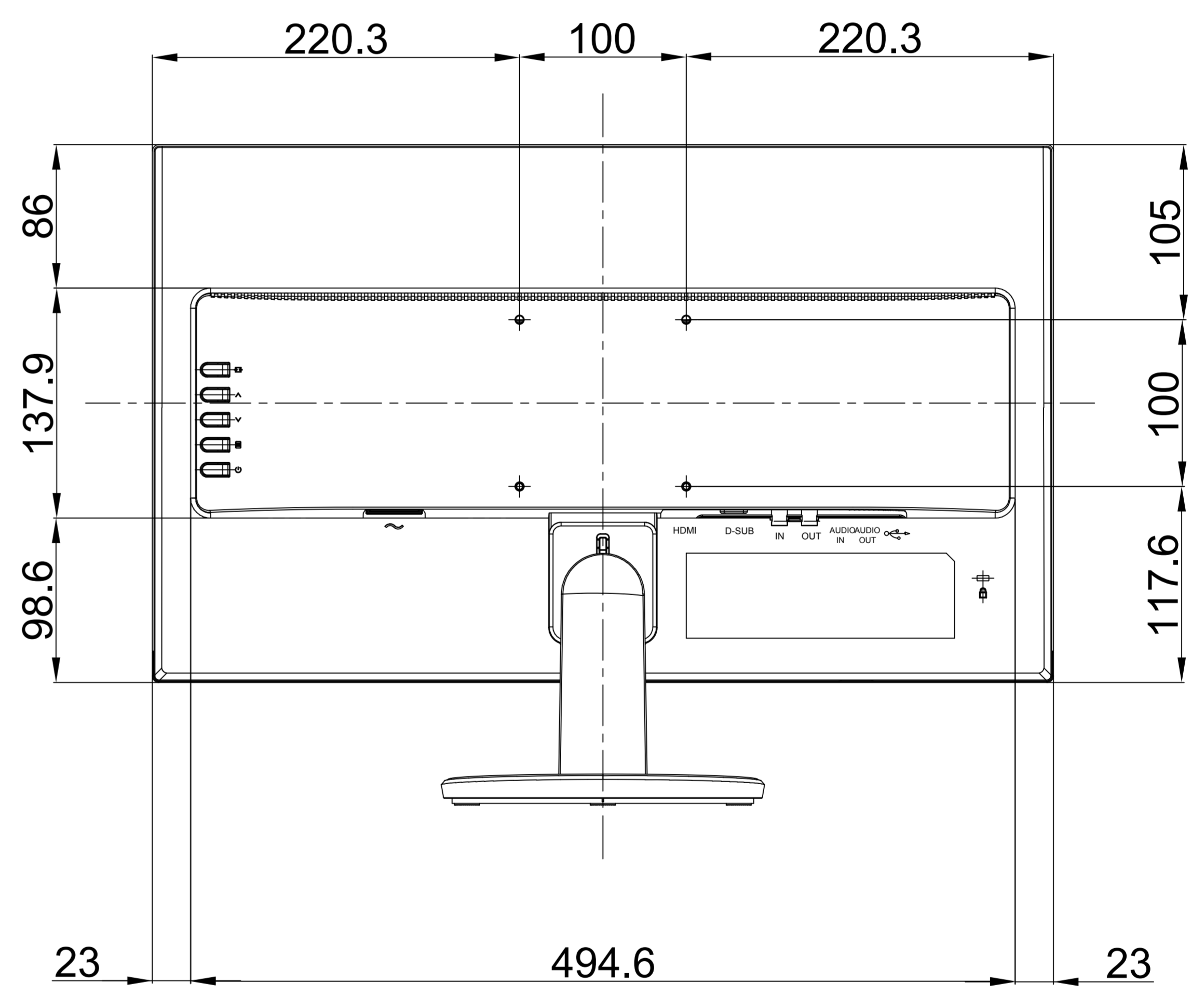
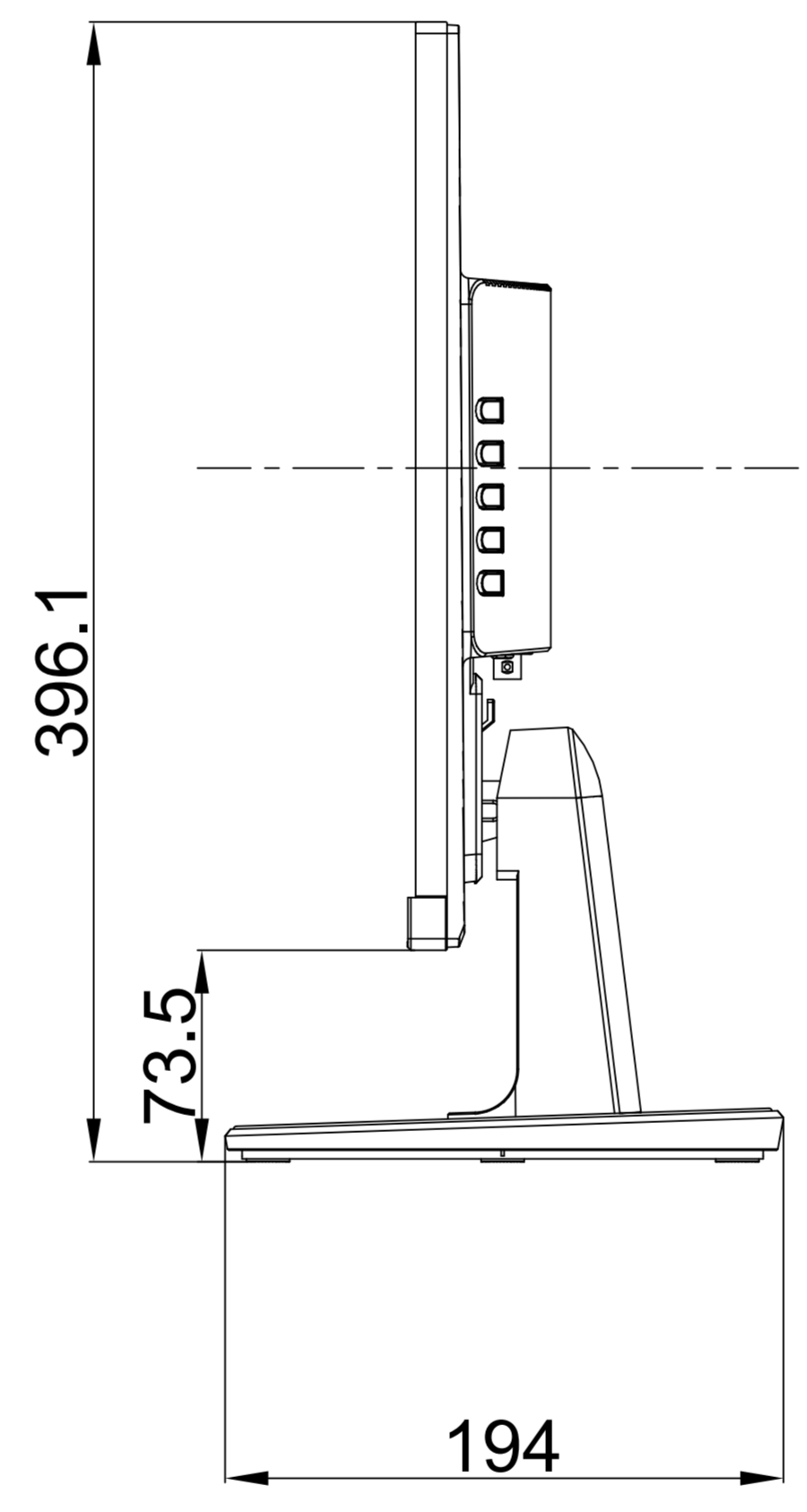
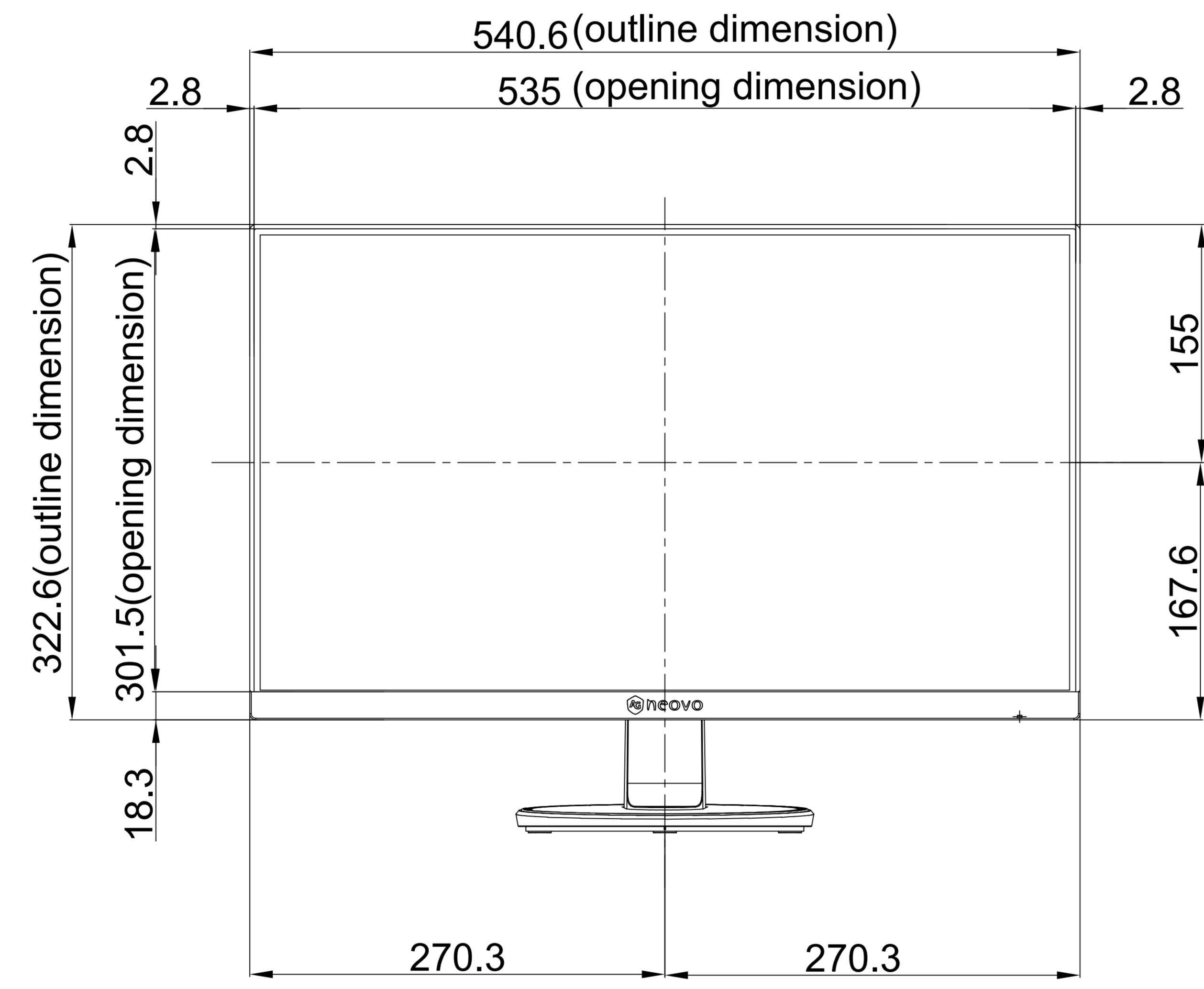
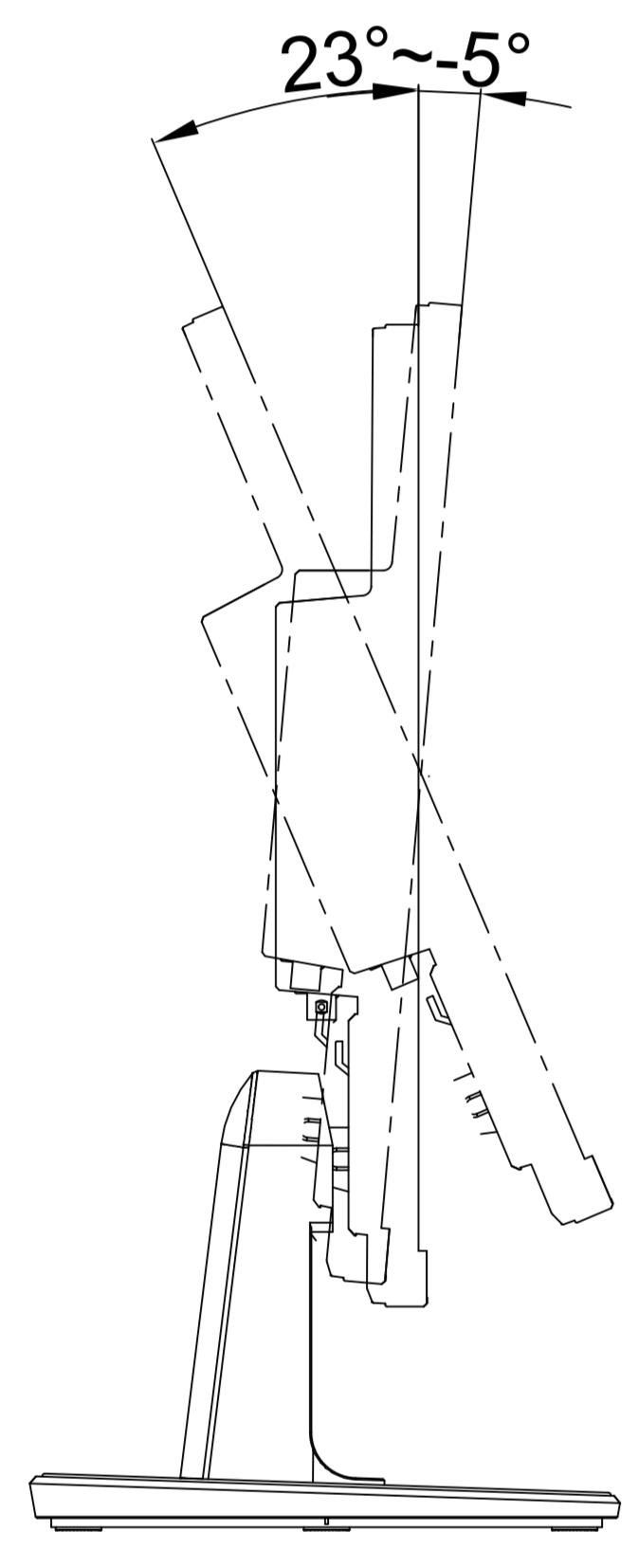


SC-24E  
 Net weight :3.8kg (with stand)  
 3.4 kg (w/o stand)



SPECIFICATIONS SUBJECT TO CHANGE WITHOUT NOTICE.

 www.agneovo.com	Model Name:	<b>SC-24E</b>
	<small>THIS DRAWING ON THIS PRINT AND INFORMATION BELONG WITH AG Neovo. ANY REPRODUCTION IN PART OR WHOLE WITHOUT WRITTEN PERMISSION OF AG Neovo IS PROHIBITED.</small>	<small>P/C: S24E00/S24EA0</small>
	<small>SCALE</small> 1:1	<small>UNITS</small> mm