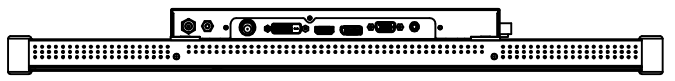
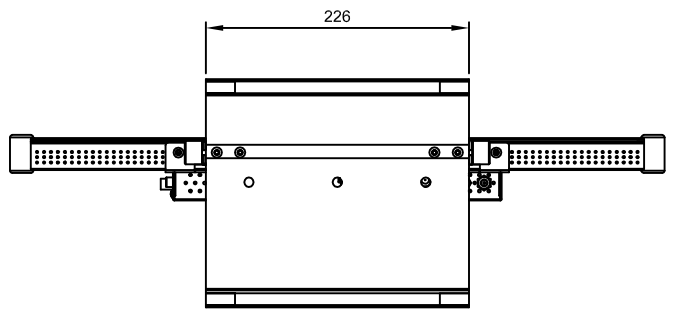
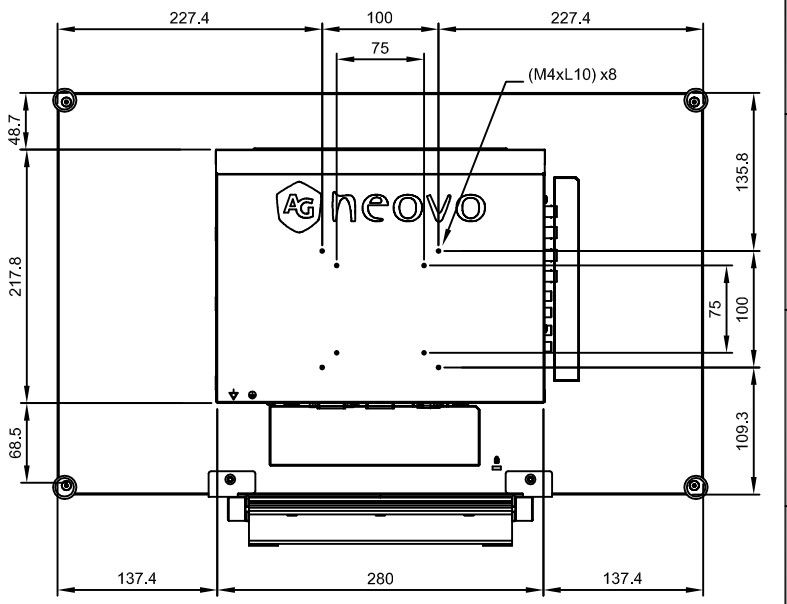
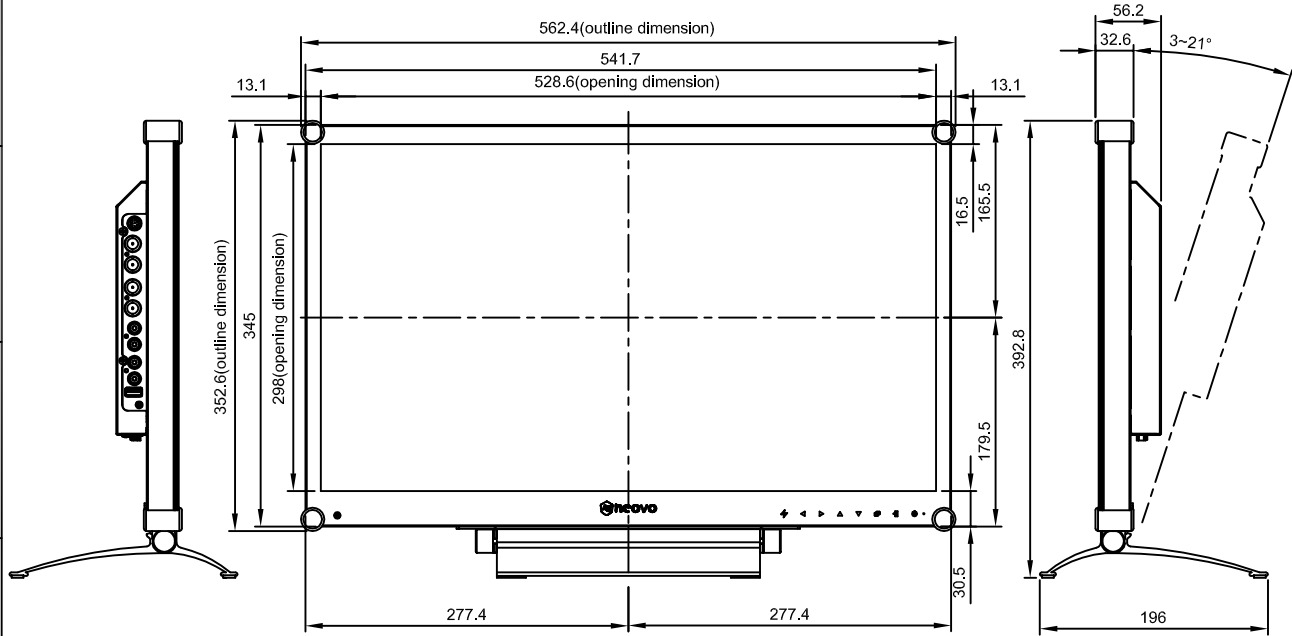
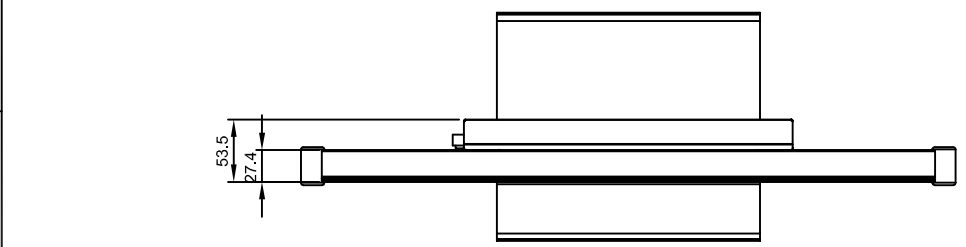


# RX-24G

Net weight : 8.1kg/17.9lb (with Stand)

7.3kg/16.1lb (w/o Stand)



SPECIFICATIONS SUBJECT TO CHANGE WITHOUT NOTICE.

 www.agneovo.com	Model Name:	<b>RX-24G</b>
	<small>THIS DRAWING ON THIS PRINT AND INFORMATION BELONGS WITH AG Neovo. ANY REPRODUCTION IN PART OR WHOLE WITHOUT WRITTEN PERMISSION OF AG Neovo IS PROHIBITED.</small>	<small>P/C:RX4GB0</small>