

MD-2402 CLINICAL REVIEW MONITOR



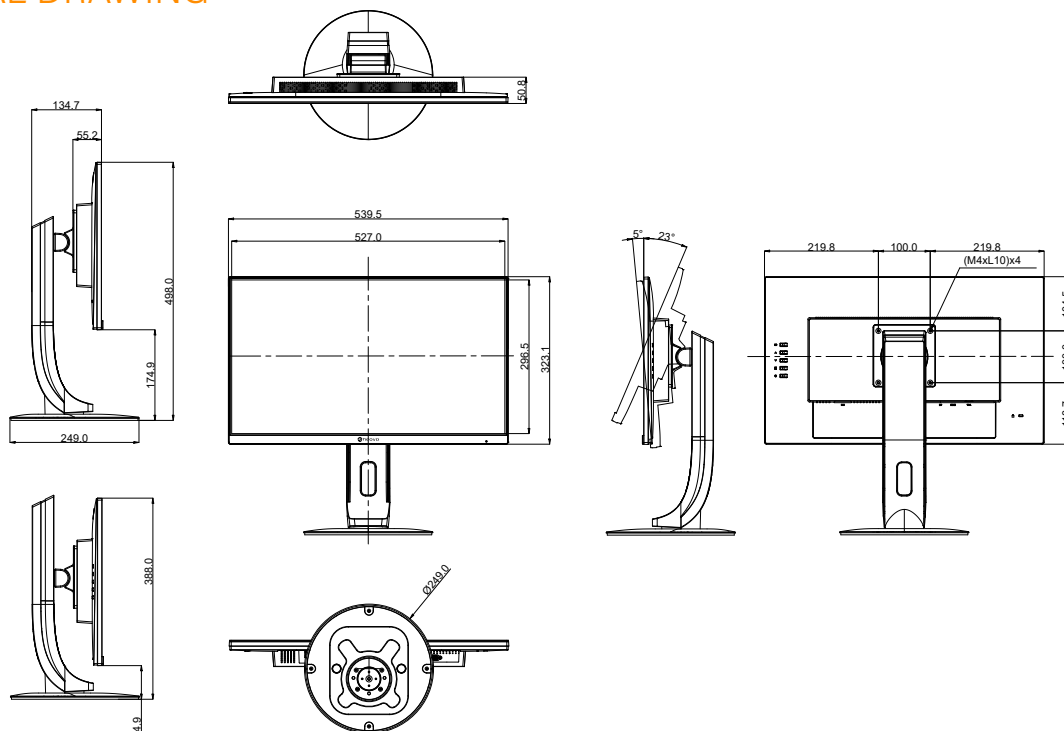
FEATURES

- Full HD 1920 x 1080 resolution
- 178° /178° wide viewing angle
- Support DICOM Part 14 with calibrated greyscale and brightness
- Crisp 20,000,000:1 dynamic contrast ratio
- 3-sided narrow bezel design for seamless multi-display setups
- Medical adapter certified to the IEC/EN 60601-1 medical standard
- White exterior design for easy contaminant detection
- Versatile Connectivity: DisplayPort, HDMI and VGA
- HDMI inputs for Full HD connectivity with a variety of devices
- Selectable aspect ratio
- VESA mounting for flexible installation in healthcare settings
- Height adjustable stand allows users to tilt, pivot and swivel



Featuring DICOM preset and medical-grade power supply, the MD-2402 clinical review monitor ensures correct and consistent brightness and greyscale levels of medical images in detail at any viewing angle. Its image stability, medical-grade power supply, and VESA-compatible mounts give clinical professionals confidence in clinical review and easy to set up a mobile workstation while meeting the standards of premium quality assurance and financial benefits.

TECHNICAL DRAWING



SPECIFICATIONS

Panel

Panel Type	LED-Backlit TFT LCD (VA Technology)
Panel Size	23.8"
Max. Resolution	FHD 1920 x 1080
Pixel Pitch	0.275 mm
Brightness	250 cd/m ² 180 cd/m ² (DICOM Preset)
Contrast Ratio	20,000,000:1 (DCR)
Viewing Angle (H/V)	178°/178°
Display Colour	16.7M
Response Time	5 ms
Surface Treatment	Anti-Glare Treatment (Haze25%), 3H Hard Coating

Frequency

Frequency (H)	30 kHz-83 KHz
Frequency (V)	50 Hz-76 Hz

Signal Input

DisplayPort	x 1
HDMI	1.4 x 1
VGA	15-Pin D-Sub x 1

Power

Power Supply	External
Power Requirements	DC 12V, 1.96A
On Mode	13W (On)
Stand-by Mode	< 0.3W
Off Mode	< 0.2W

Operating Conditions

Temperature	0°C-40°C (32°F-104°F)
Humidity	10%-85% (non-condensing)

Storage Conditions

Temperature	-25°C-55°C (-13°F-131°F)
Humidity	5%-93%(non-condensing)

Mounting

VESA FPM/PMI	Yes (100 x 100 mm)
--------------	--------------------

Stand

Tilt	-5° to 23°
Pivot	-2.5° to 92.5°
Swivel	± 65°
Height Adjustment	0-110 mm

Security

Kensington Security Slot	Yes
--------------------------	-----

Dimensions

Product with Base (W x H x D)	539.5 x 498.0 x 249.0 mm (21.2" x 19.6" x 9.8")
Product w/o Base (W x H x D)	539.5 x 323.1 x 50.8 mm (21.2" x 12.7" x 2.0")
Packaging (W x H x D)	625.0 x 403.0 x 280.0 mm (24.6" x 15.9" x 11.0")

Weight

Product w/o Base	2.8 kg (6.2 lb)
Product with Base	5.2 kg (11.5 lb)
Packaging	7.4 kg (16.3 lb)

Regulation Approval

Certifications & Compliance	CE, LVD, WEEE, RoHS, REACH, EAC, UKCA, FCC, ICES-003 (Issue 7)
Power Adaptor Certifications	ADAPTER/ATM065T-P120: CE, FCC, PSE, WEEE, BSMI, Medical Grade

Accessories

Supplied	Power Adaptor, Power Cord, HDMI Cable, Quick Start Guide
----------	--

Optional Accessories

Ceiling Mount (Landscape only)	CMP-01+WMK-03
Wall Mount (Landscape only)	WMA-01, WMK-01, WMK-03, PMK-01
Desk Mount (Landscape only)	DMC-01, DMC-02D, DMS-01D, DMS-01Q, ES-02

