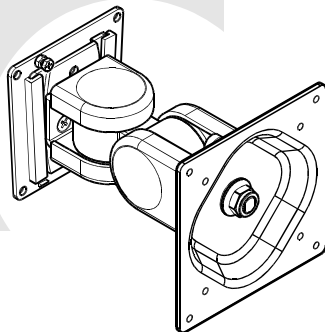




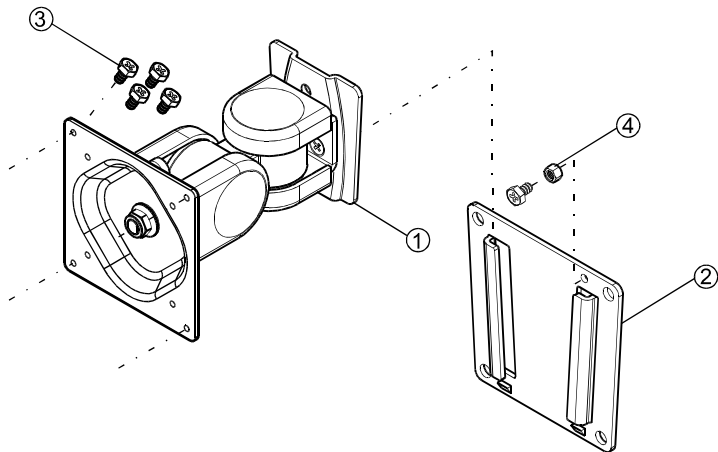
**PMK-01**

*User Manual*  
*Manual de usuario*  
*Benutzerhandbuch*  
*Manuel Utilisateur*  
*Manuale dell'utente*



**Pivot Mounting Kit**

# PMK-01

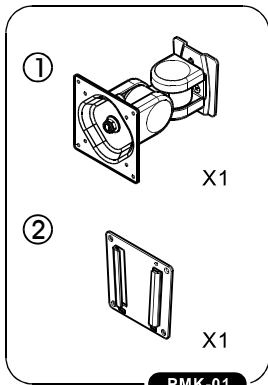


# Assembly Guide

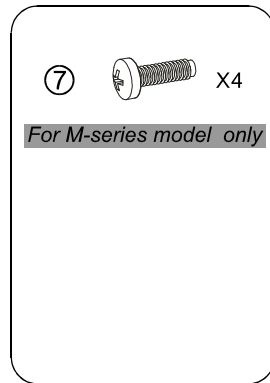
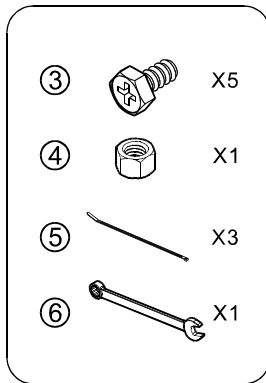
English Version

Before assembly please spend some time to read this and follow the procedures step by step. Do not discard any of the packaging until you have checked all the parts and the package offittings. If you miss any of the parts, please contact the store where you purchased your products. The staff will do their best to help you .

## — Parts Check-List

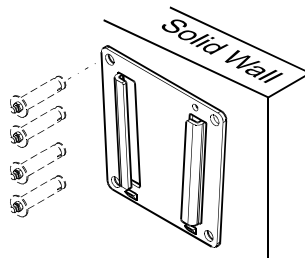


## — Fitting Check-List —



## Step 1

Secure bottom plate firmly fixed to the wall with four expansion screws (not supplied).

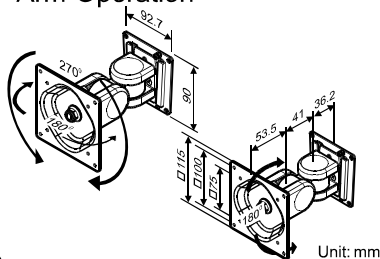


## Step 2

Make sure of direction correct during assembly.  
(as illustrated)



### Arm Operation

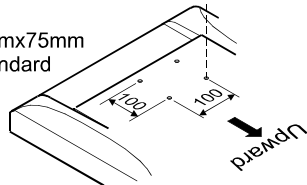
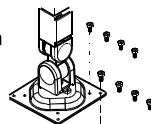


### PMK-01

With 100mmx100mm  
VESA standard  
interface

or

With 75mmx75mm  
VESA standard  
interface

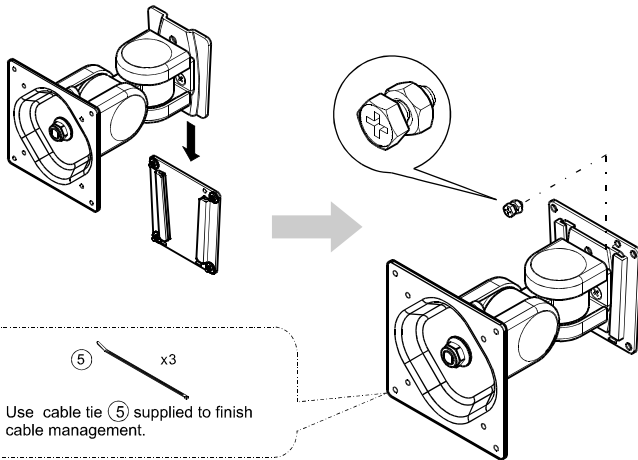


### Step 3

Insert the arm (with LCD monitor on already) into the wall mount plate and press it down.



Secure the nut to the screw about 3-5 circles (as figure). Clockwise direction locks it into wall mount plate. Then secure the nut counterclockwise to the wall mount plate (avoiding the arm falls off).

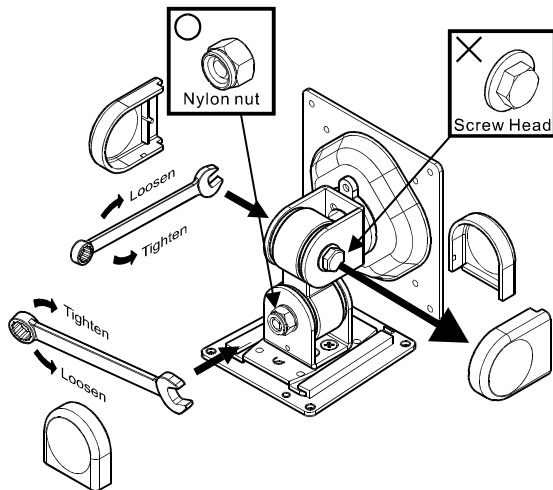


#### Caution:

- Standard products fit VESA interface 75\*75mm & VESA interface plate 100\*100mm.
- Before assembling, please check assembly guide thoroughly to avoid any mistake.
- Weight capacity for up to 14 kg LCD monitors.
- Standard products include several small parts, keep out of children when assembling. This product and prevent children from swallowing them.
- Do not put your fingers on the joint during arm moving to prevent from clipping.

## Adjusting Universal Joint Tension

When assembling the arm with monitors of different weights, you may find that the tension of the universal joint needs to be adjusted to ease movement or to maintain the desired monitor position. If so, adjust as follows:



- Remove the two plastic universal joint covers.
- Find the nylon nut (not the screw head) and use the included wrench to adjust the tension.
- Use one hand to support the monitor and adjust the tension of the universal joint.
  - Clockwise : more tension
  - Counterclockwise : less tension
- When the desired tension is achieved, replace the two plastic covers.

### Caution:

- Support the monitor during the adjustment procedure.
- Only adjust the nylon nut (Not the screw head).
- Do not disassemble the u t .

**AG** neovo