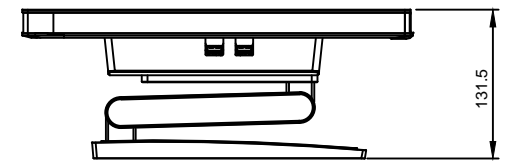
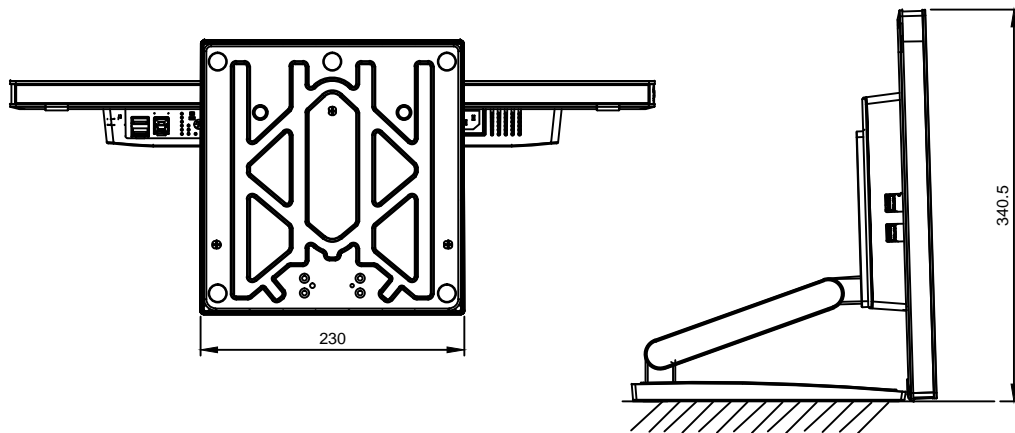
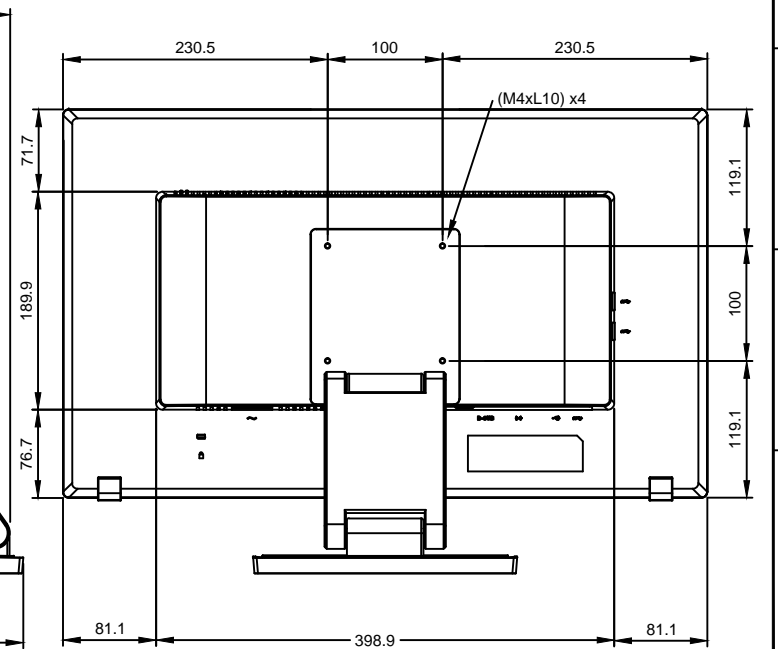
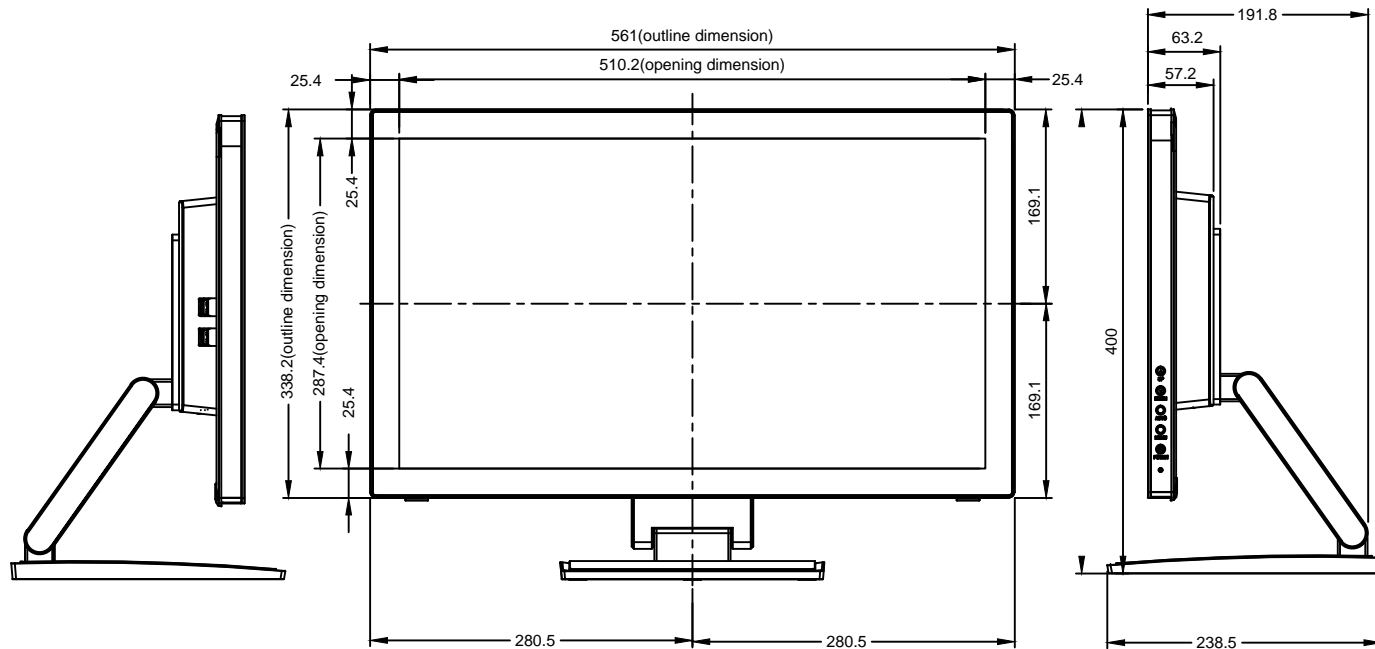
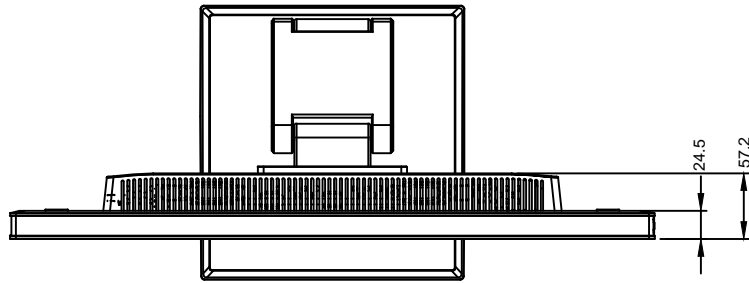


# TM-23

Net weight: 6.6kg (with stand)  
4.3kg (w/o stand)



SPECIFICATIONS SUBJECT TO CHANGE WITHOUT NOTICE.

 www.agneovo.com	Model Name:
	<b>TM-23</b>
<small>THIS DRAWING ON THIS PRINT AND INFORMATION BELONGS WITH AG Neovo. ANY REPRODUCTION IN PART OR WHOLE WITHOUT WRITTEN PERMISSION OF AG Neovo IS PROHIBITED.</small>	<small>P/C:TM23D0 / TM23E0</small>
<small>THIRD ANGLE PROJECTION</small>	SCALE 1:1 UNITS mm V.1.05