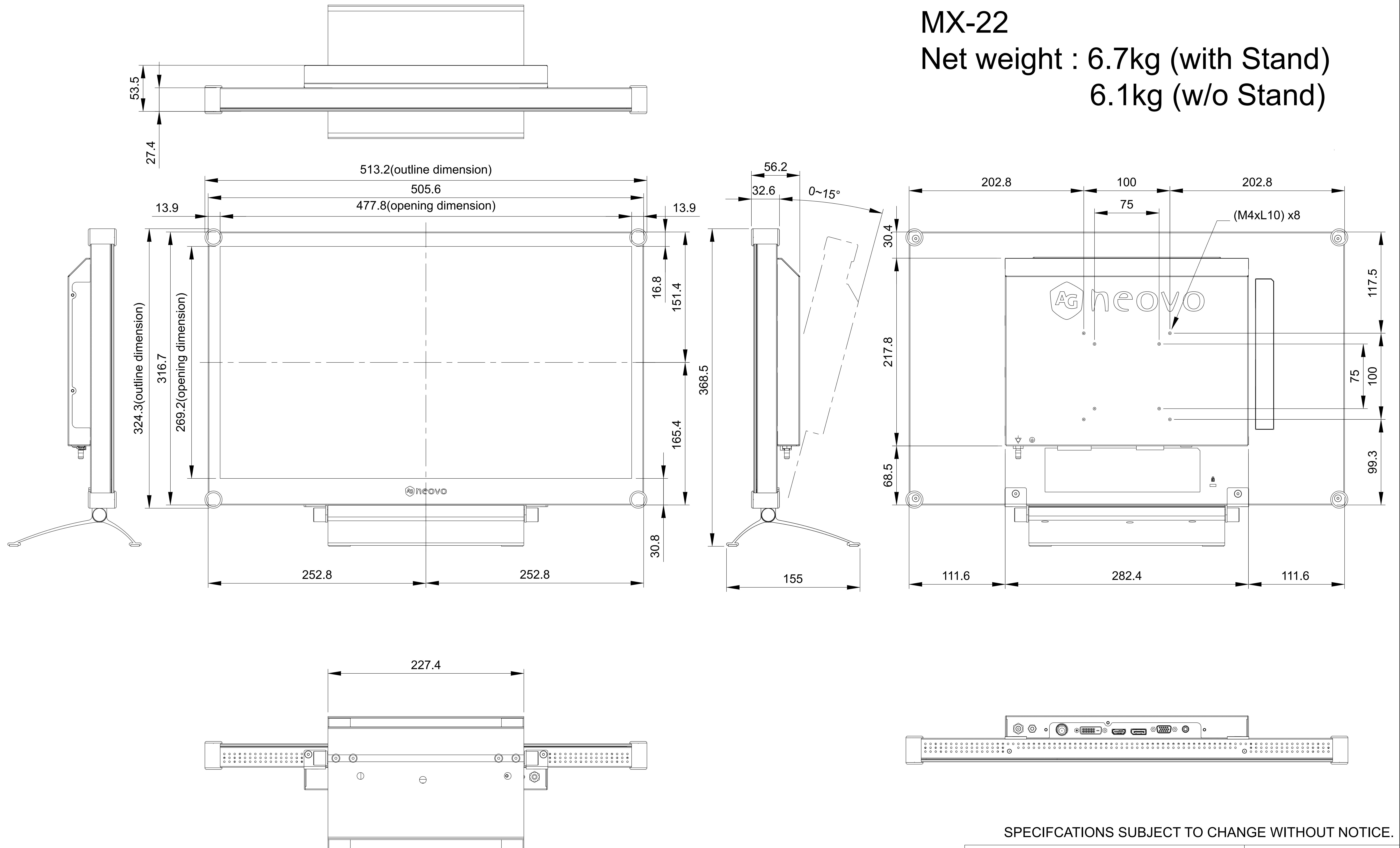


MX-22

Net weight : 6.7kg (with Stand)
6.1kg (w/o Stand)



SPECIFICATIONS SUBJECT TO CHANGE WITHOUT NOTICE.

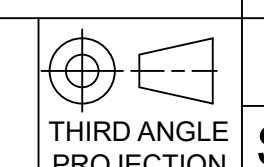


www.agneovo.com

Model Name:

MX-22

THIS DRAWING ON THIS PRINT AND INFORMATION BELONG WITH AG Neovo. ANY REPRODUCTION IN PART OR WHOLE WITHOUT WRITTEN PERMISSION OF AG Neovo IS PROHIBITED.



P/C:MX22A0/MX22B0/MX22C0

SCALE | 1:1 | UNITS | mm | V.1.04