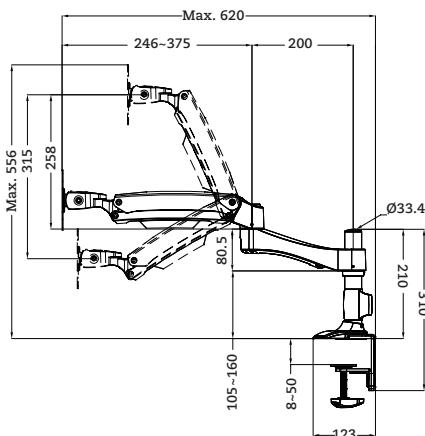
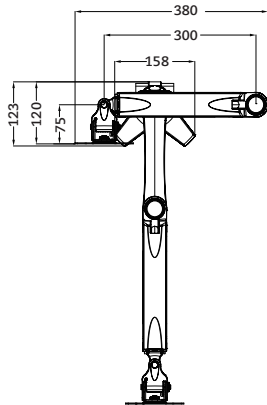


DMC-01

Allow any viewing angle and maximise space utilisation with the AG Neovo DMC-01 interactive desk clamped arm.

More than swivel, tilt, height adjustment as well as rotation, the innovative DMC-01 desk mount is equipped with a flexible arm with two joints for optimum viewing and great ergonomic comfort. Compatible with VESA standard, the DMC-01 accommodates displays weighing up to 10 kg and perfectly suits home, office and especially multi-user environments.



- > Streamlined and durable design
- > Easily reposition display to meet ergonomic needs
- > Compatible with VESA standard (75 x 75 mm and 100 x 100 mm)
- > Swivel left and right for 180°
- > Wide tilt range for up and down
- > Height adjustment up to 31.5 cm
- > Rotate for 360°
- > 360° of swing arm allows more viewing angles and extends display up to 62 cm
- > Smart cable management and clamp base free up space
- > Weight capacity: 10 kg (22 lb)

Specifications

Mounting	Display Mounting Pattern	15"-28" Displays 75 x 75 mm / 100 x 100 mm
Loading	Weight Capacity	10.0 kg (22.0 lb)
Bracket Adjustment	Pivot (Right/ Left) Swivel (Right/ Left) Tilt	360° 90° / 90° -20° to +90°
Arm Adjustment	Lift Swivel	315.0 mm of Increment (-30° ~ +65°) 360°
Exterior	Material Surface Finish Colour	Steel, Aluminum Alloy, Plastic Electronic Coating Sliver with Black
Dimensions	Product (W x H x D) Packaging (W x H x D) (1set)	620.0 x 656.0 x 158.0 mm (24.4" x 25.8" x 6.2") 463.0 x 143.0 x 218.0 mm (18.2" x 5.6" x 8.6")
Weight	Net Weight Gross weight (1set)	3.0 kg (6.6 lb) 3.9 kg (8.6 lb)
Packing	1 Carton 1 Pallet	4 pcs 72 pcs