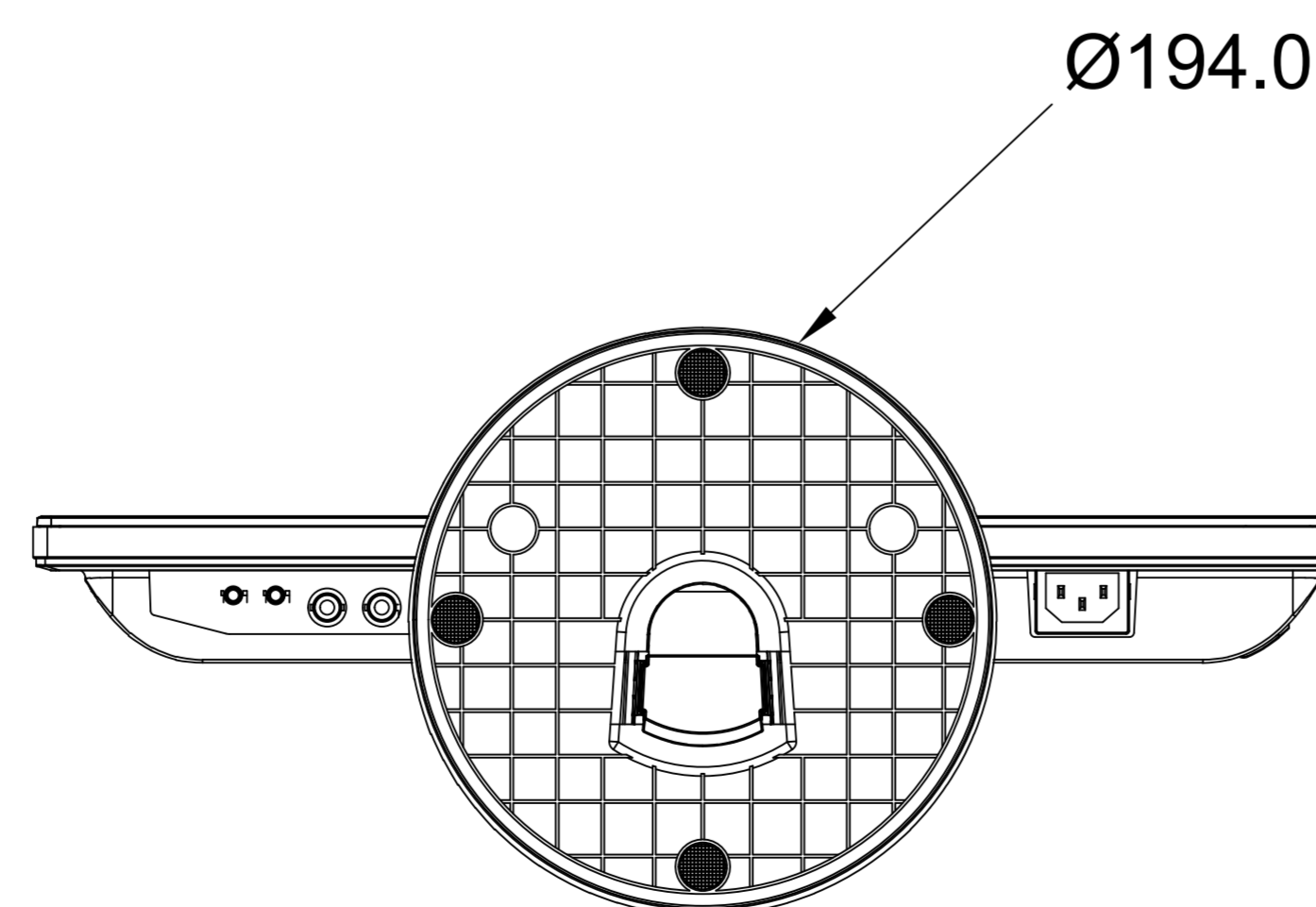
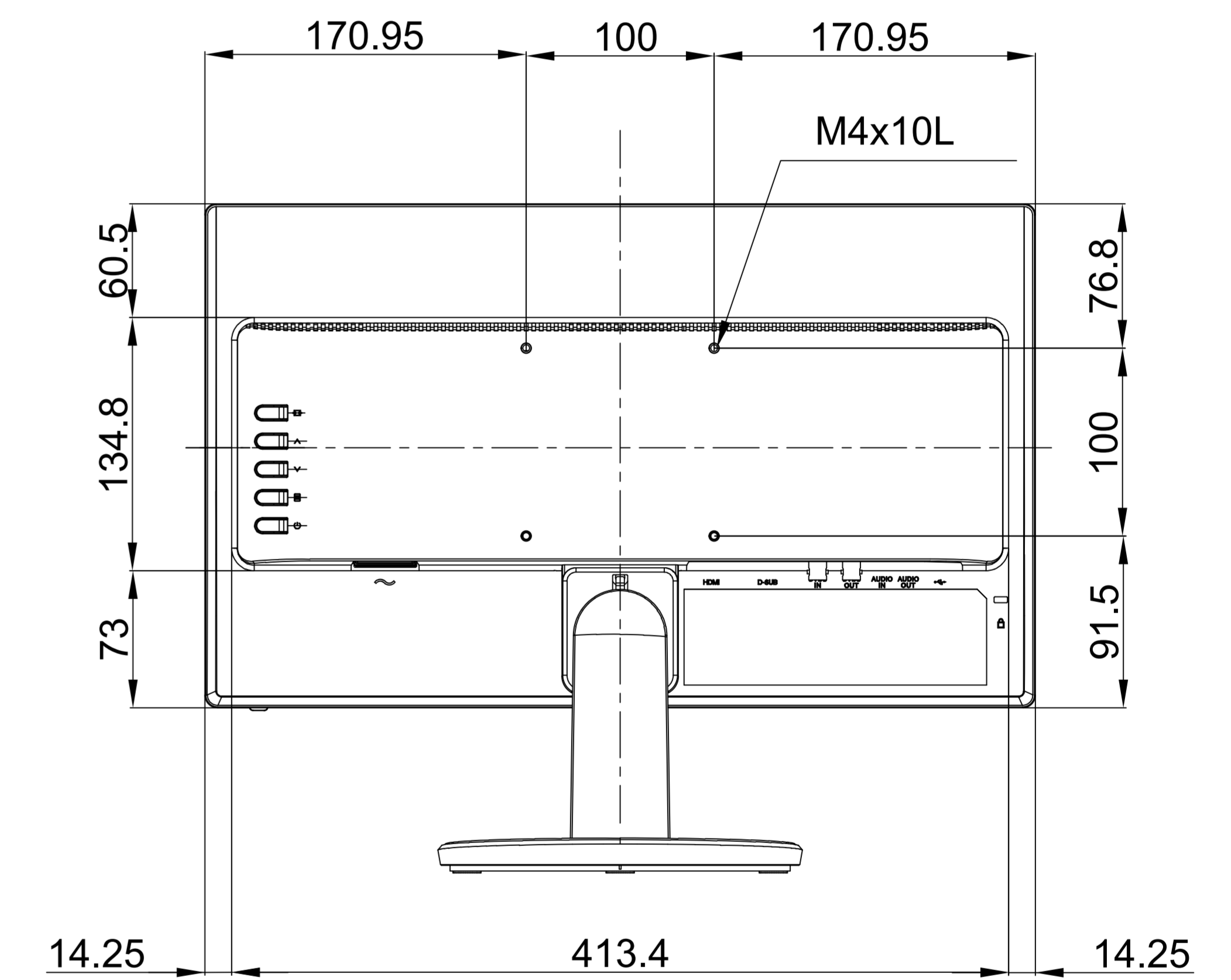
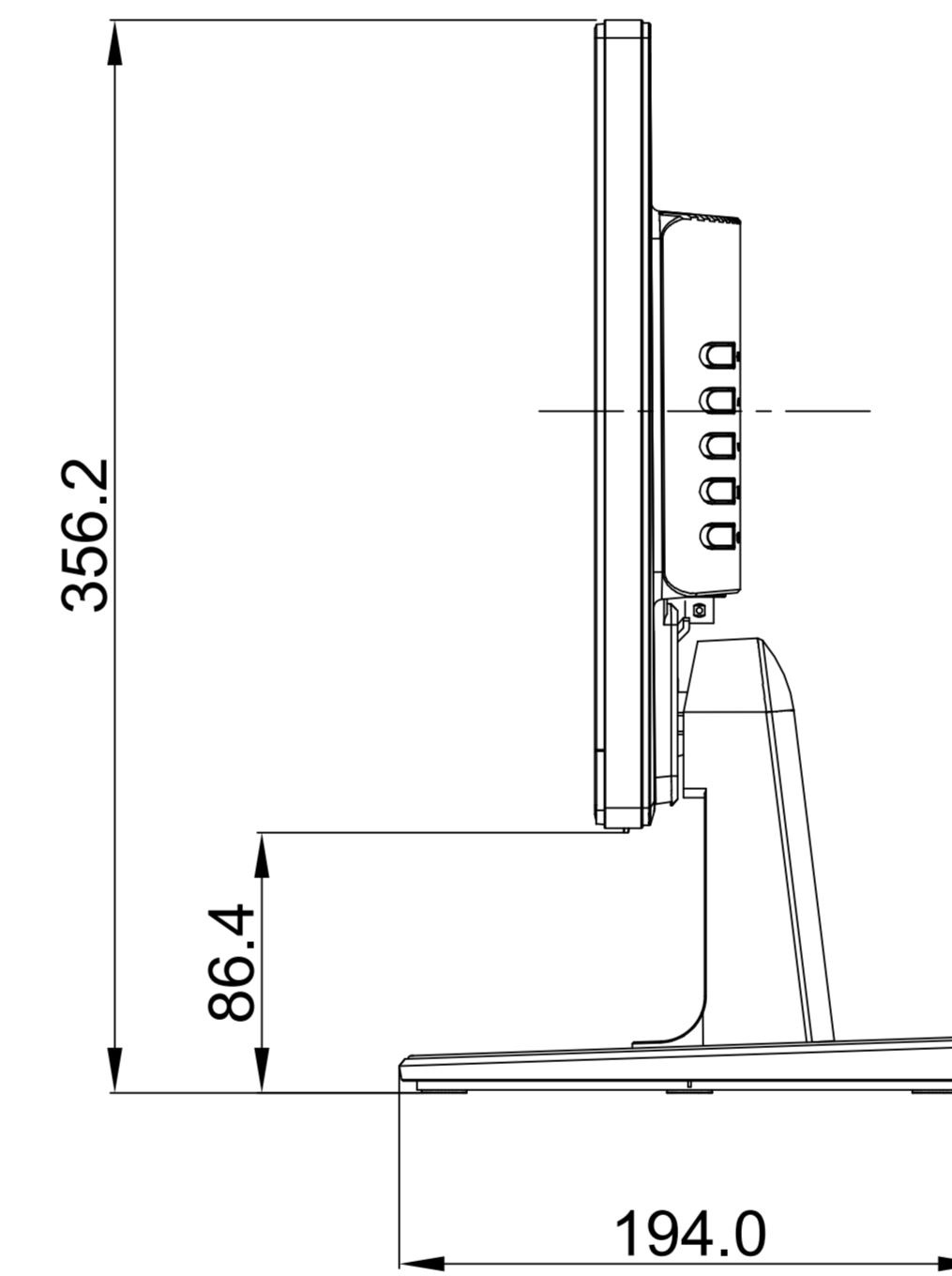
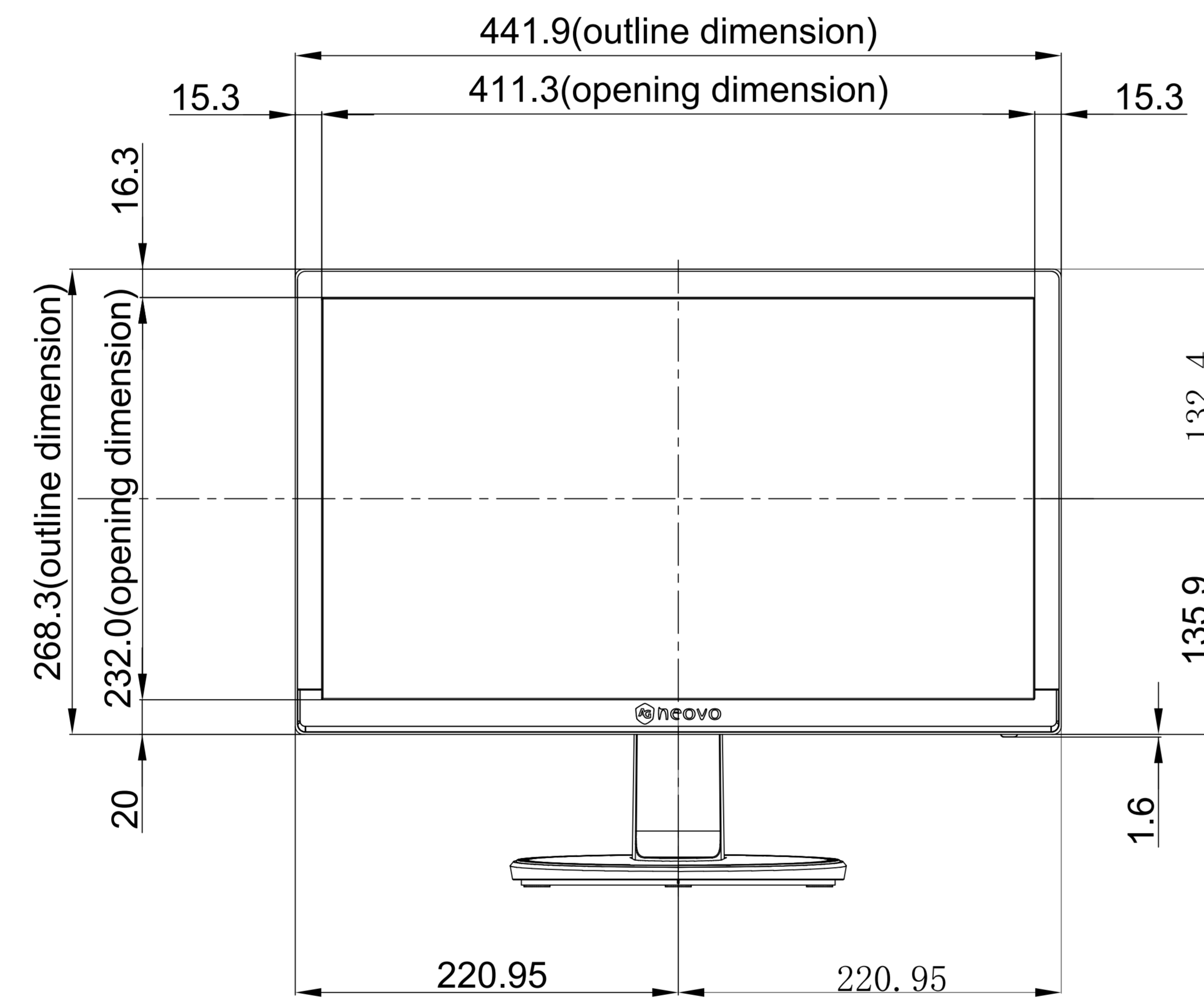
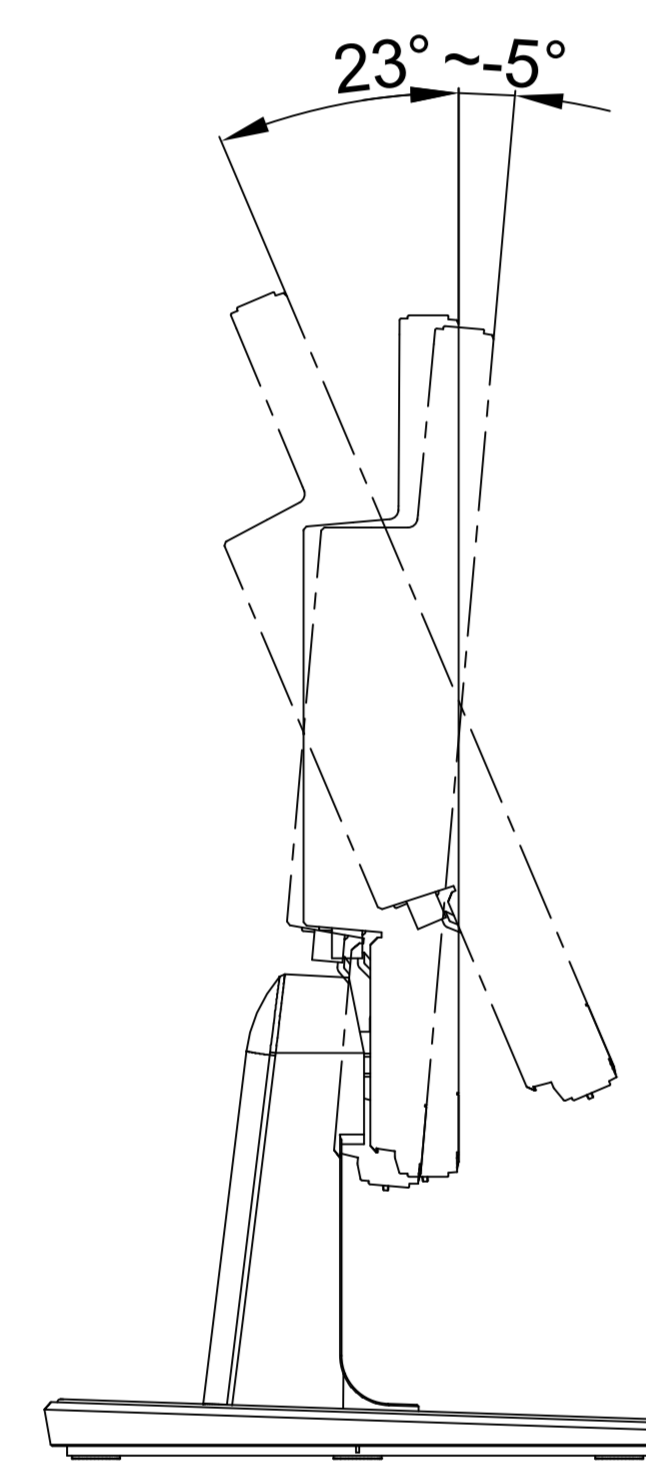
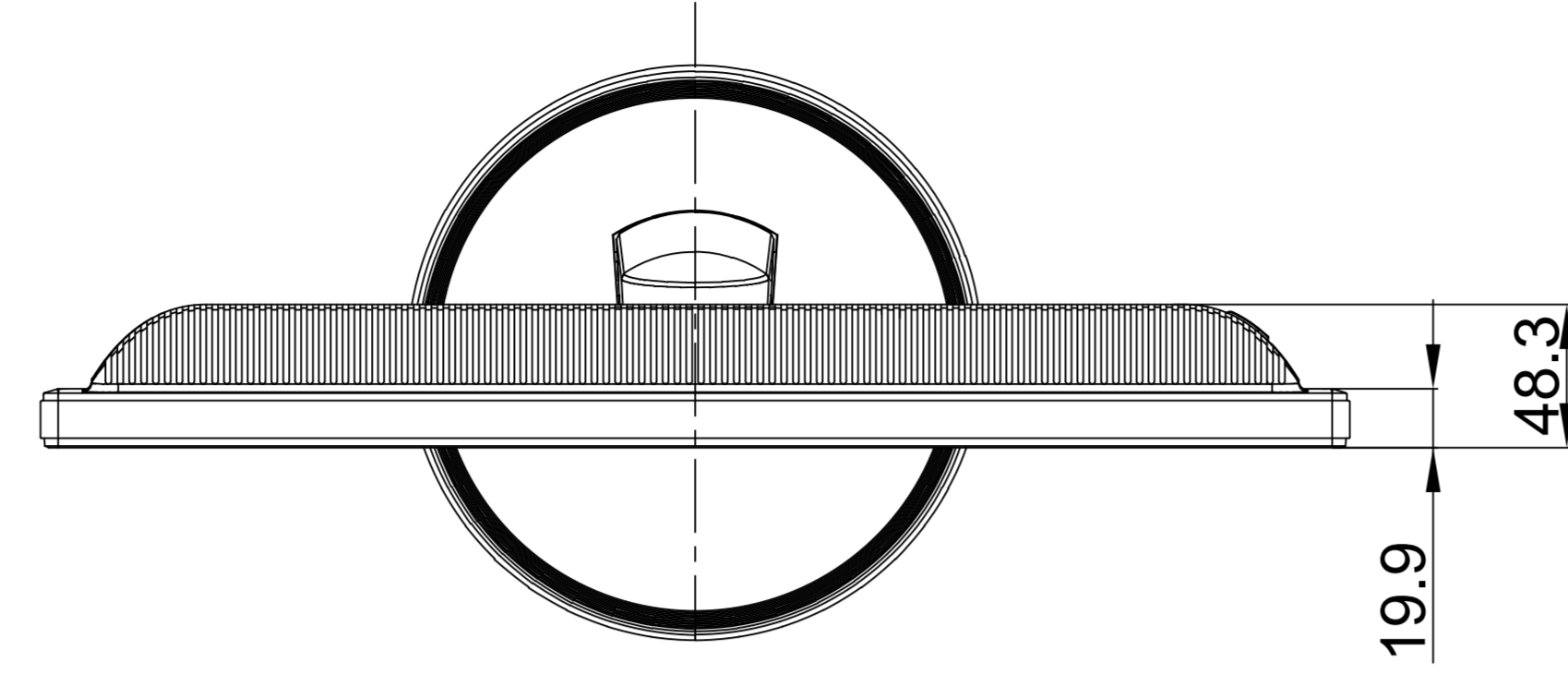


SC-19E

Net weight :2.3kg (with stand)
2.0kg (w/o stand)



SPECIFICATIONS SUBJECT TO CHANGE WITHOUT NOTICE.



Model Name:
SC-19E

THIS DRAWING ON THIS PRINT AND INFORMATION BELONG WITH AG Neovo.
ANY REPRODUCTION IN PART OR WHOLE WITHOUT WRITTEN PERMISSION
OF AG Neovo IS PROHIBITED.

P/C: S19E00
SCALE 1:1 UNITS mm V.1.03