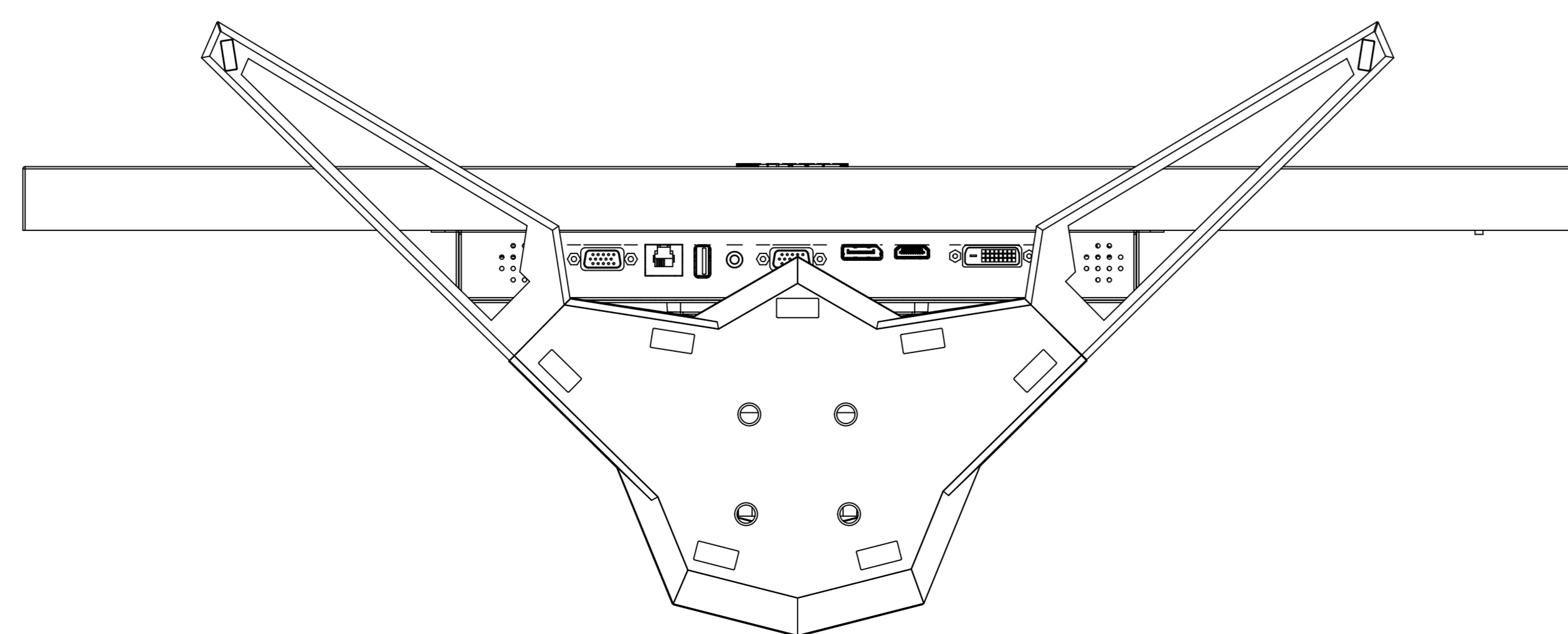
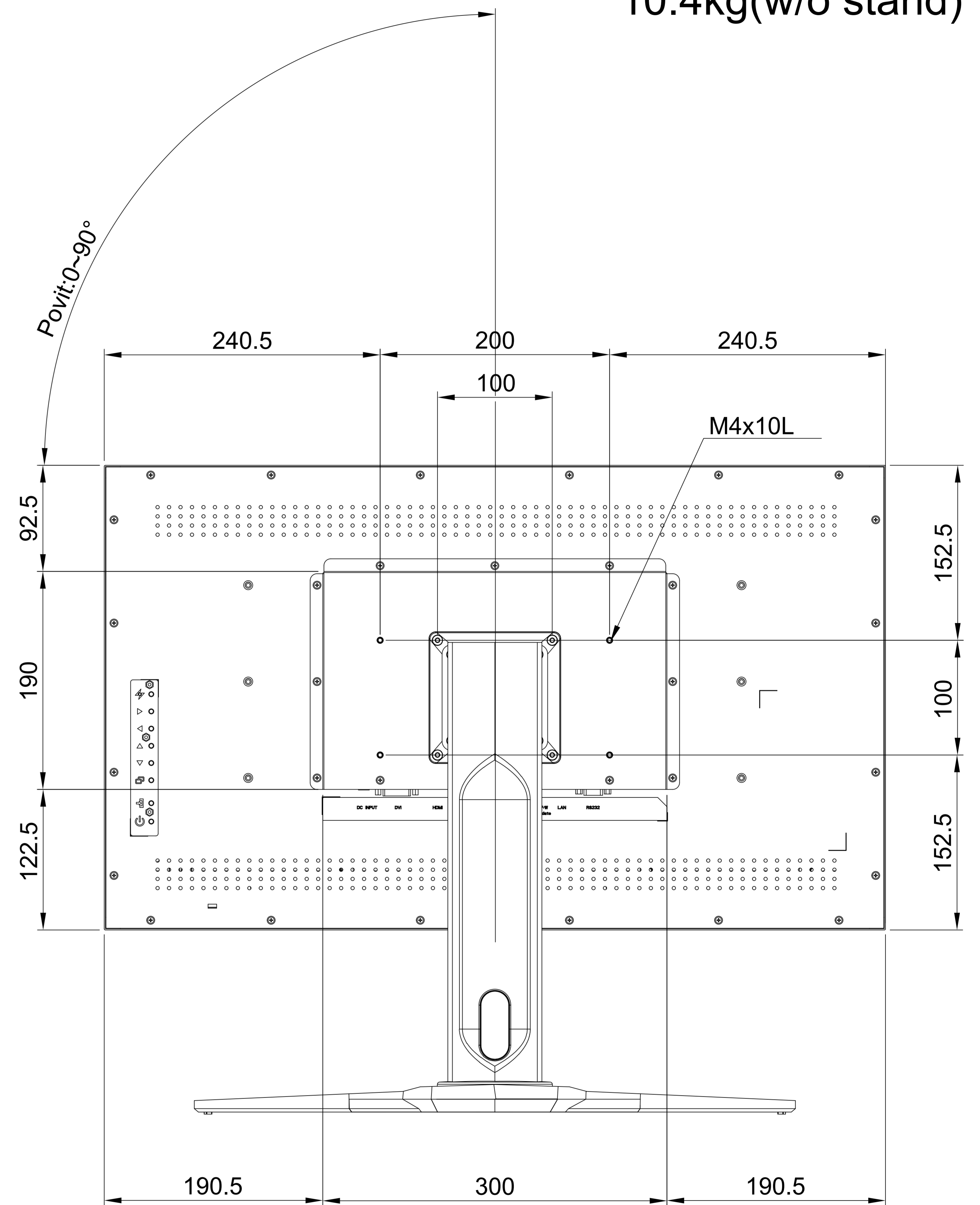
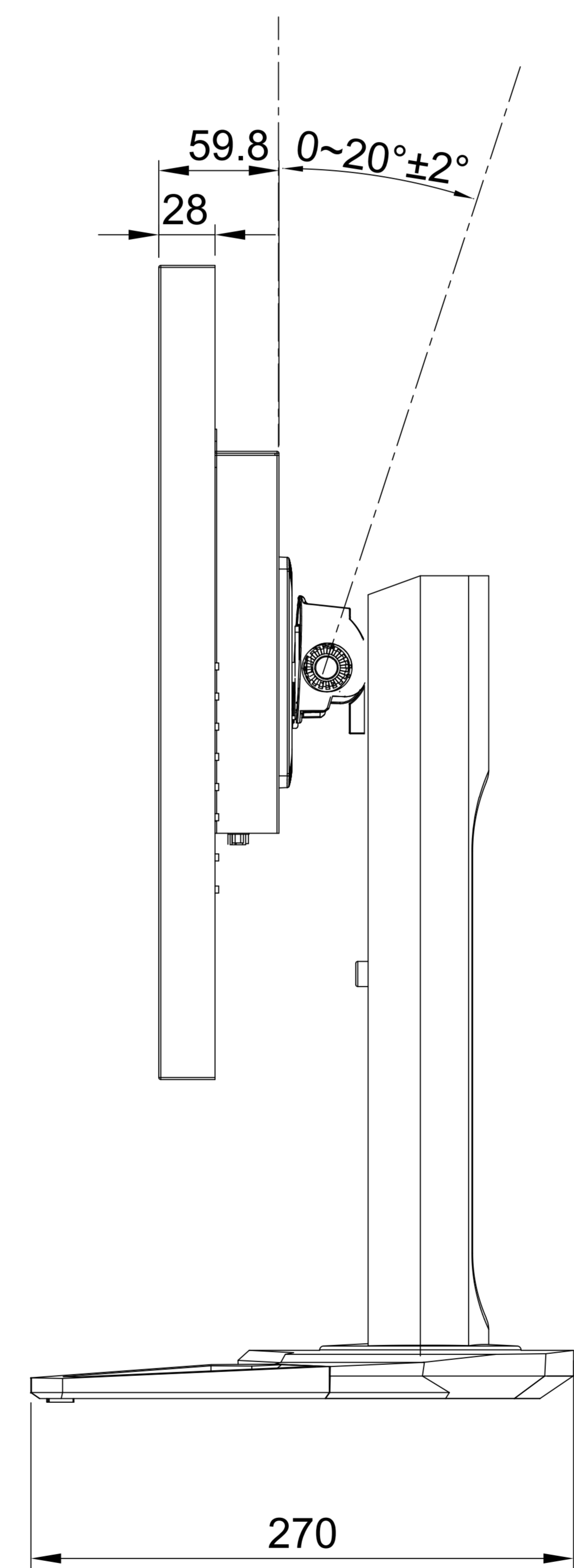
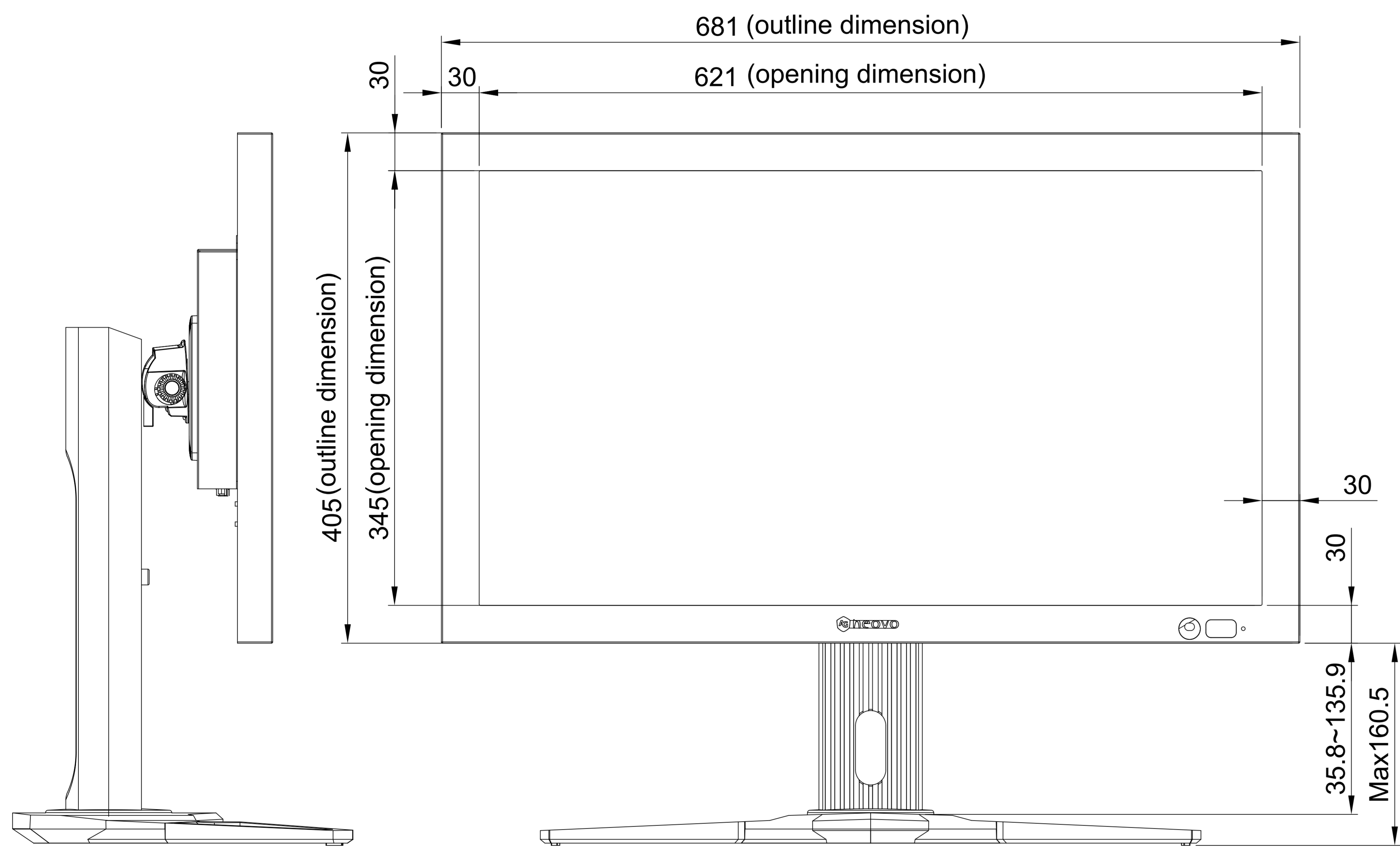


**QX-28**  
 Net weight: 13.3kg(with stand)  
 10.4kg(w/o stand)



SPECIFICATIONS SUBJECT TO CHANGE WITHOUT NOTICE.

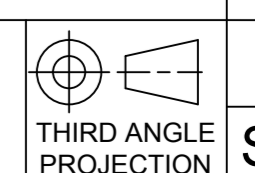
**AG neovo**

www.agneovo.com

Model Name:

**QX-28**

THIS DRAWING ON THIS PRINT AND INFORMATION BELONG WITH AG Neovo.  
 ANY REPRODUCTION IN PART OR WHOLE WITHOUT WRITTEN PERMISSION  
 OF AG Neovo IS PROHIBITED.



P/C: QX2800

SCALE 1:1 UNITS mm V.02