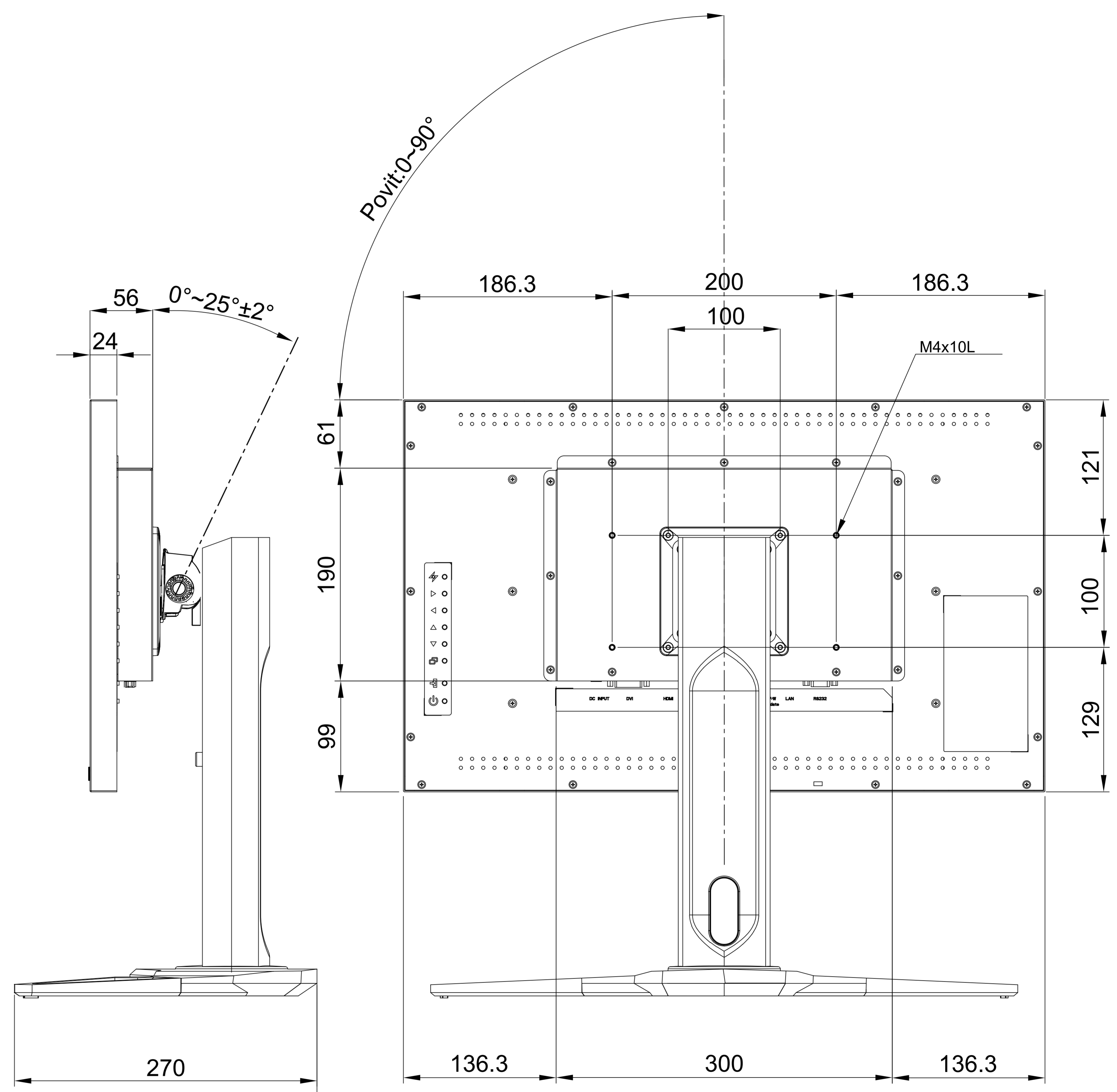
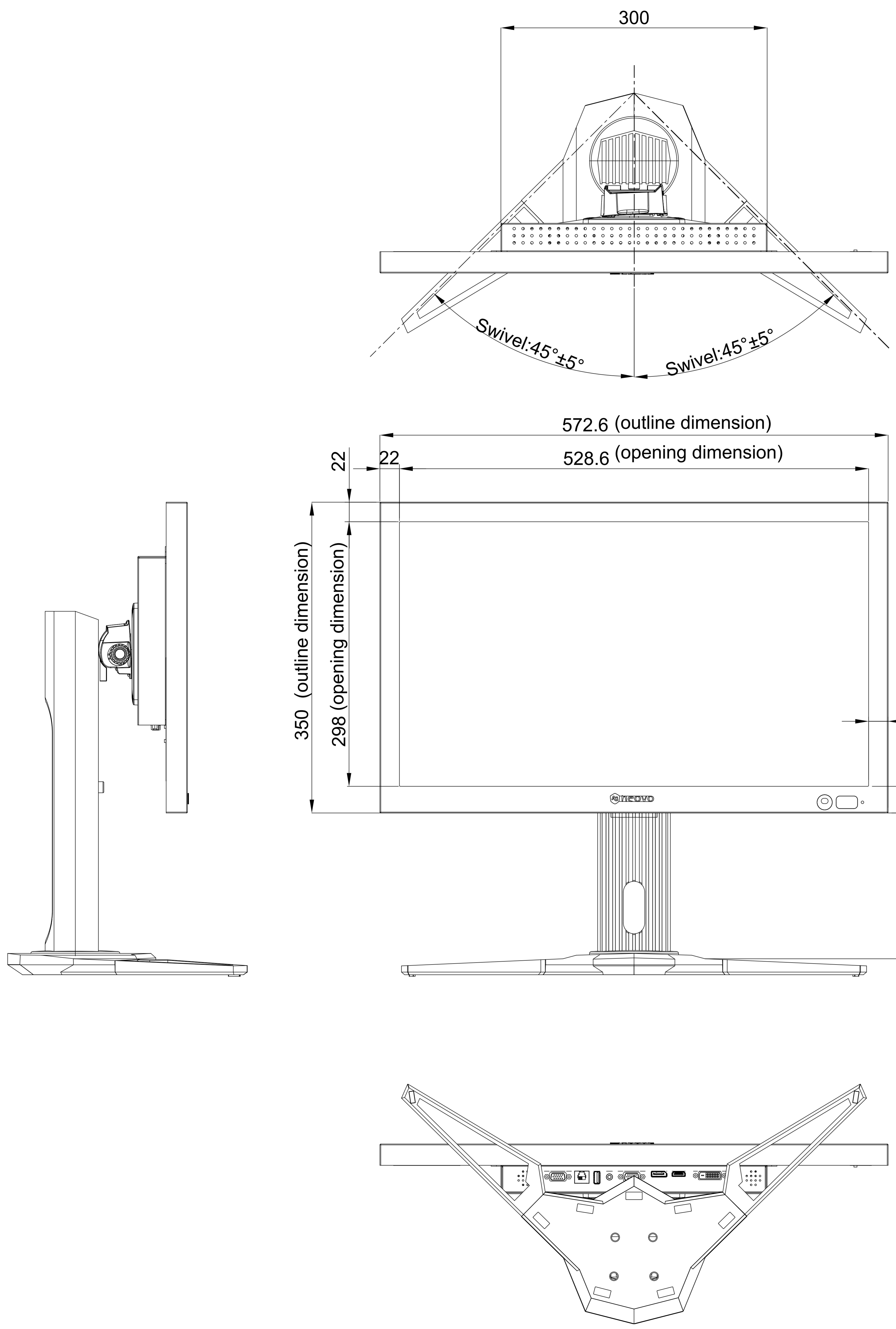


**QX-24**  
 Net weight: 10.1kg(with stand)  
 7.3kg(w/o stand)



SPECIFICATIONS SUBJECT TO CHANGE WITHOUT NOTICE.

 www.agneovo.com	Model Name:	<b>QX-24</b>
	P/C: QX2400 SCALE: 1:1 UNITS: mm V.02	THIS DRAWING ON THIS PRINT AND INFORMATION BELONG WITH AG Neovo. ANY REPRODUCTION IN PART OR WHOLE WITHOUT WRITTEN PERMISSION OF AG Neovo IS PROHIBITED.