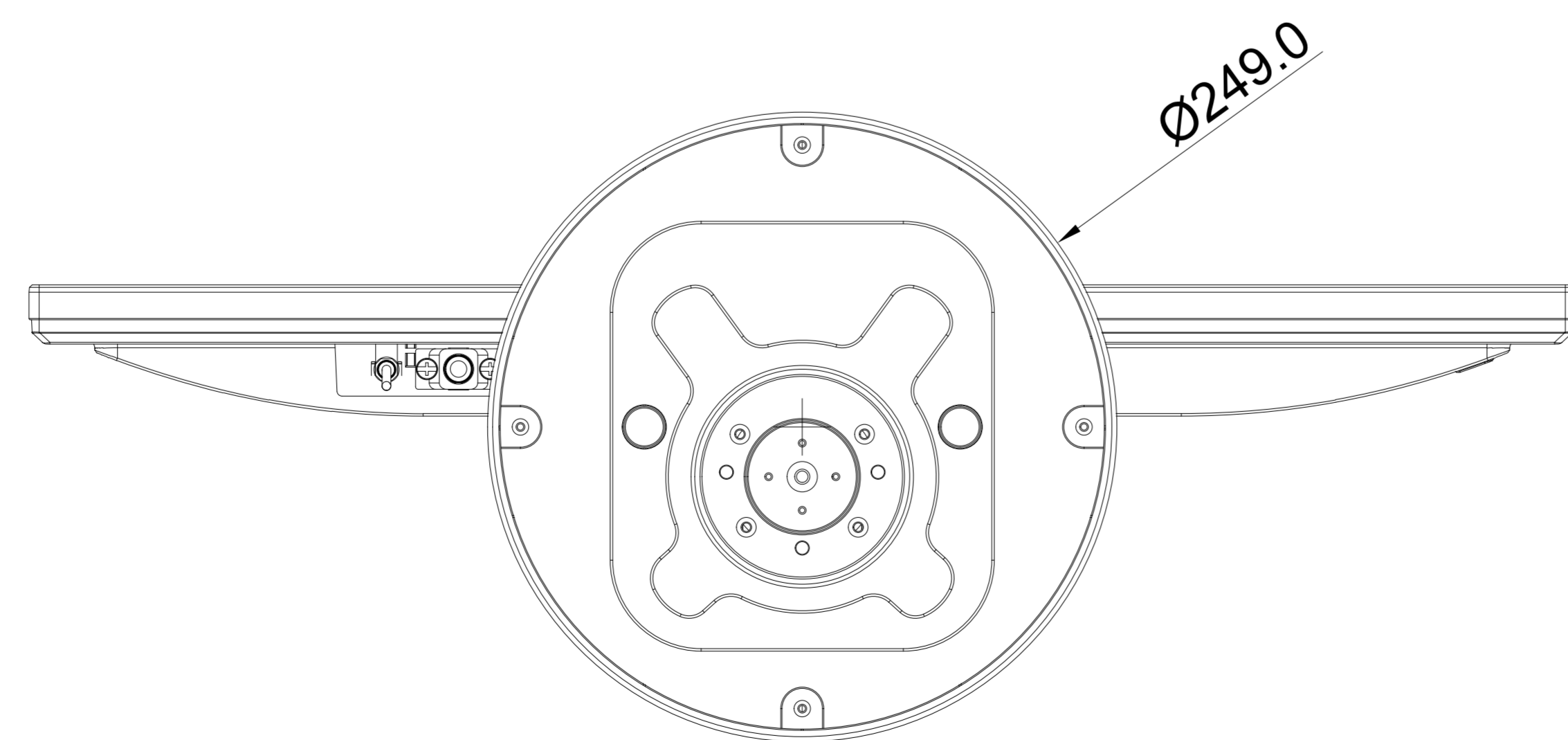
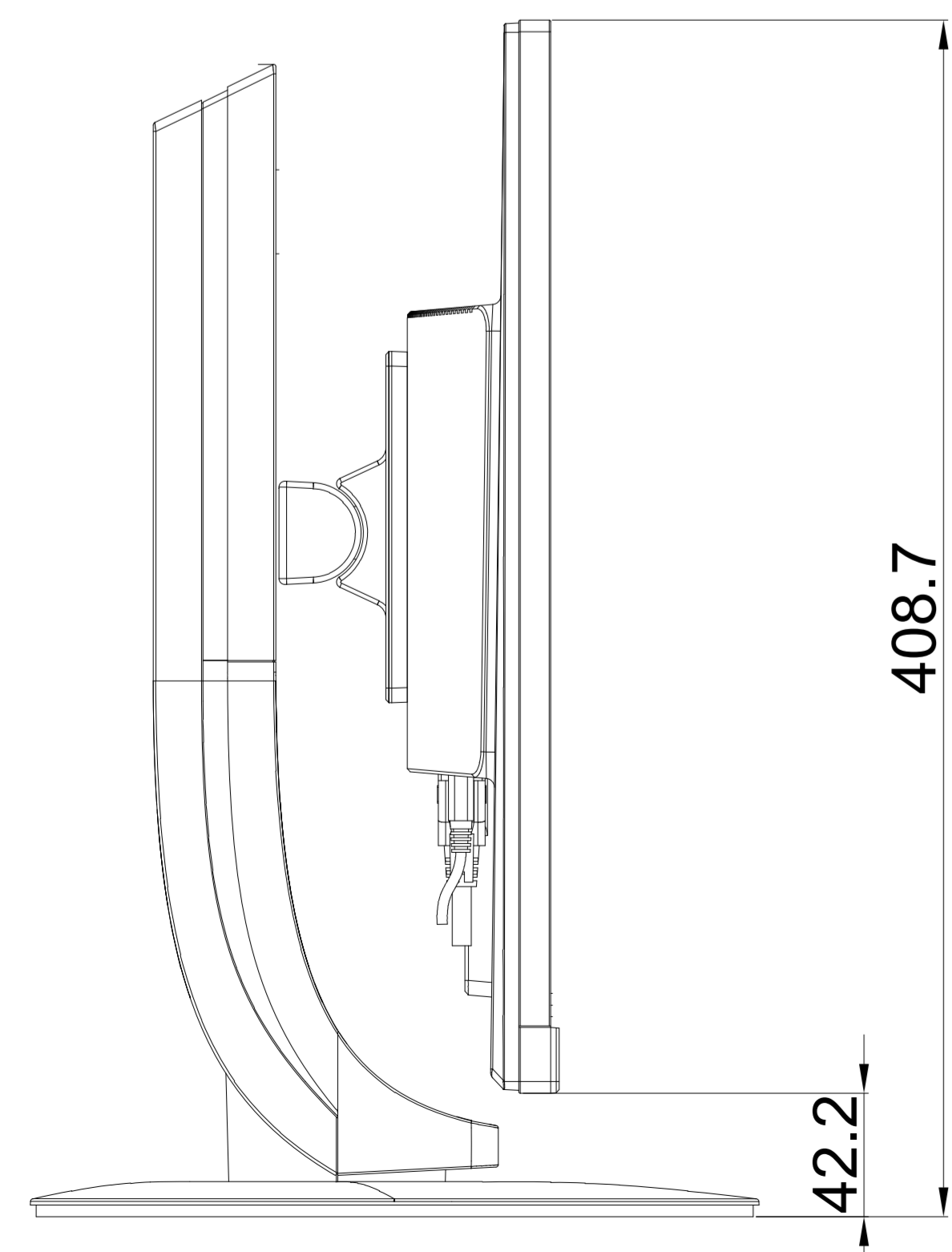
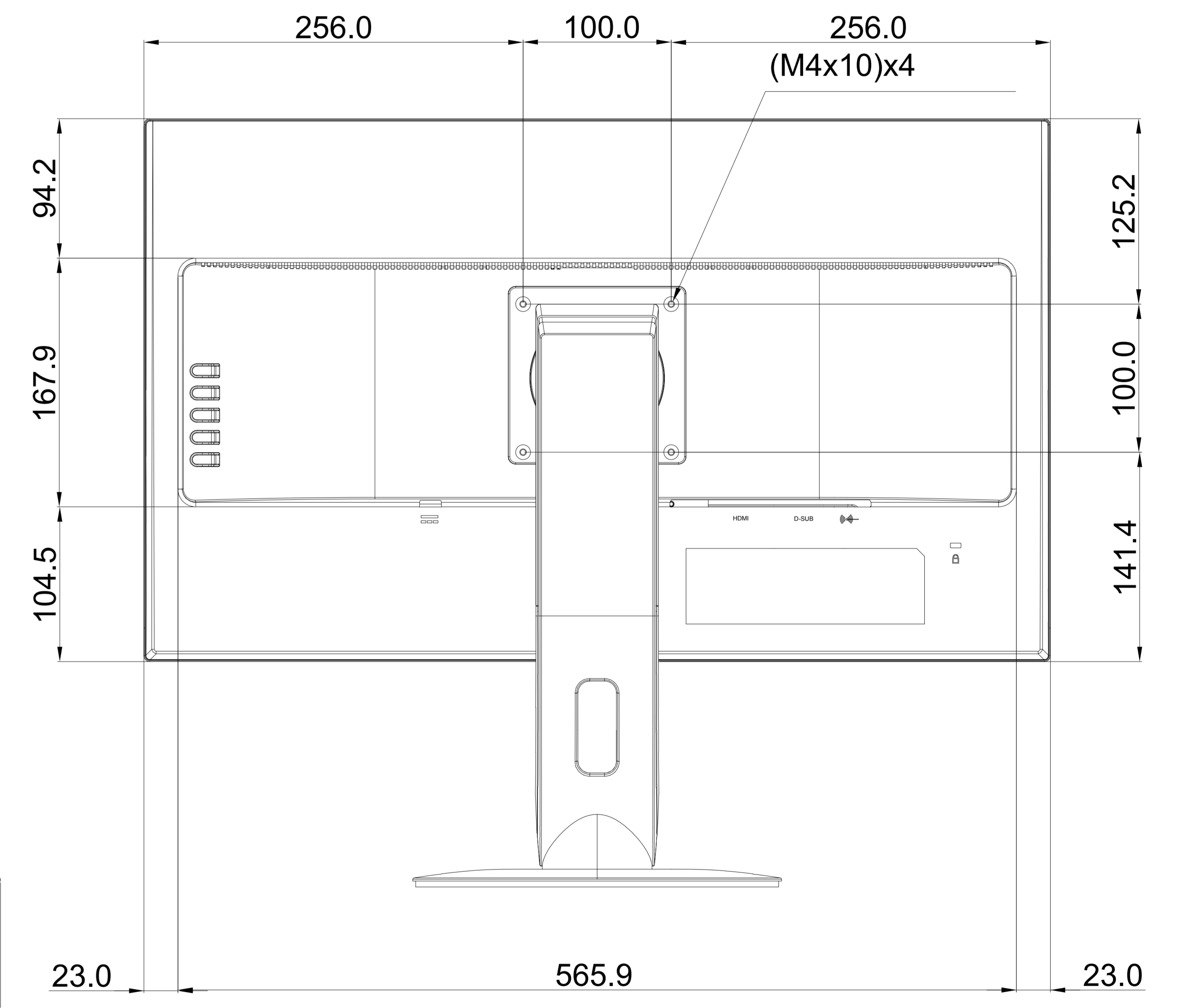
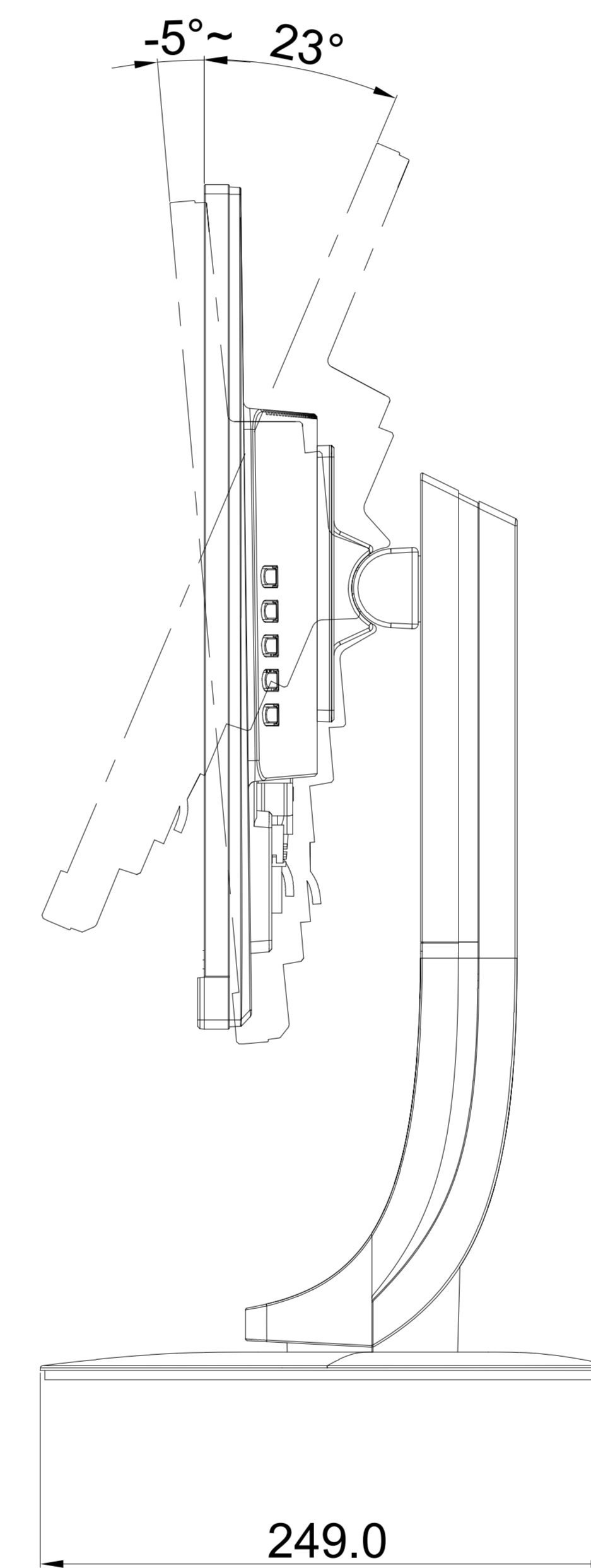
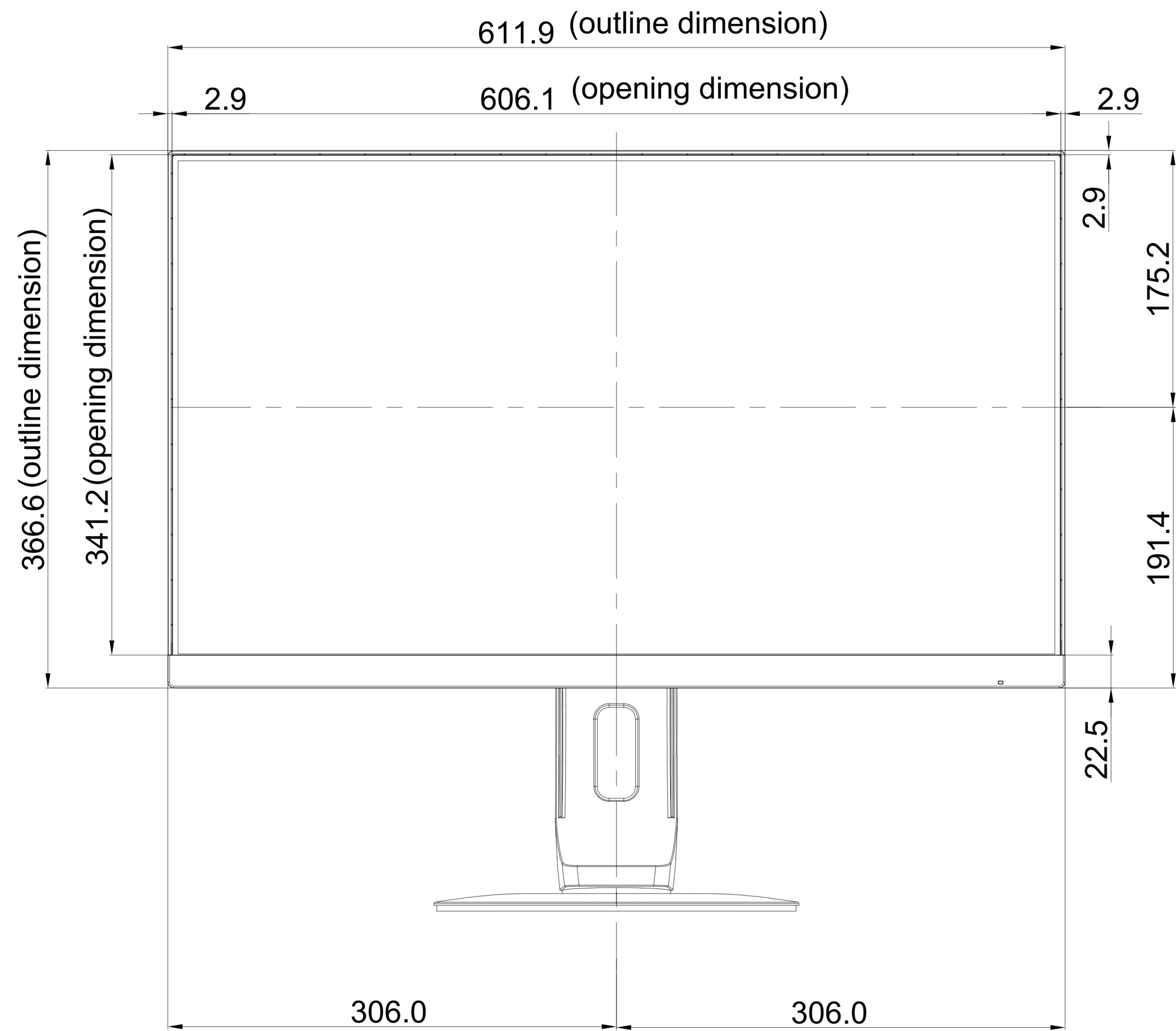
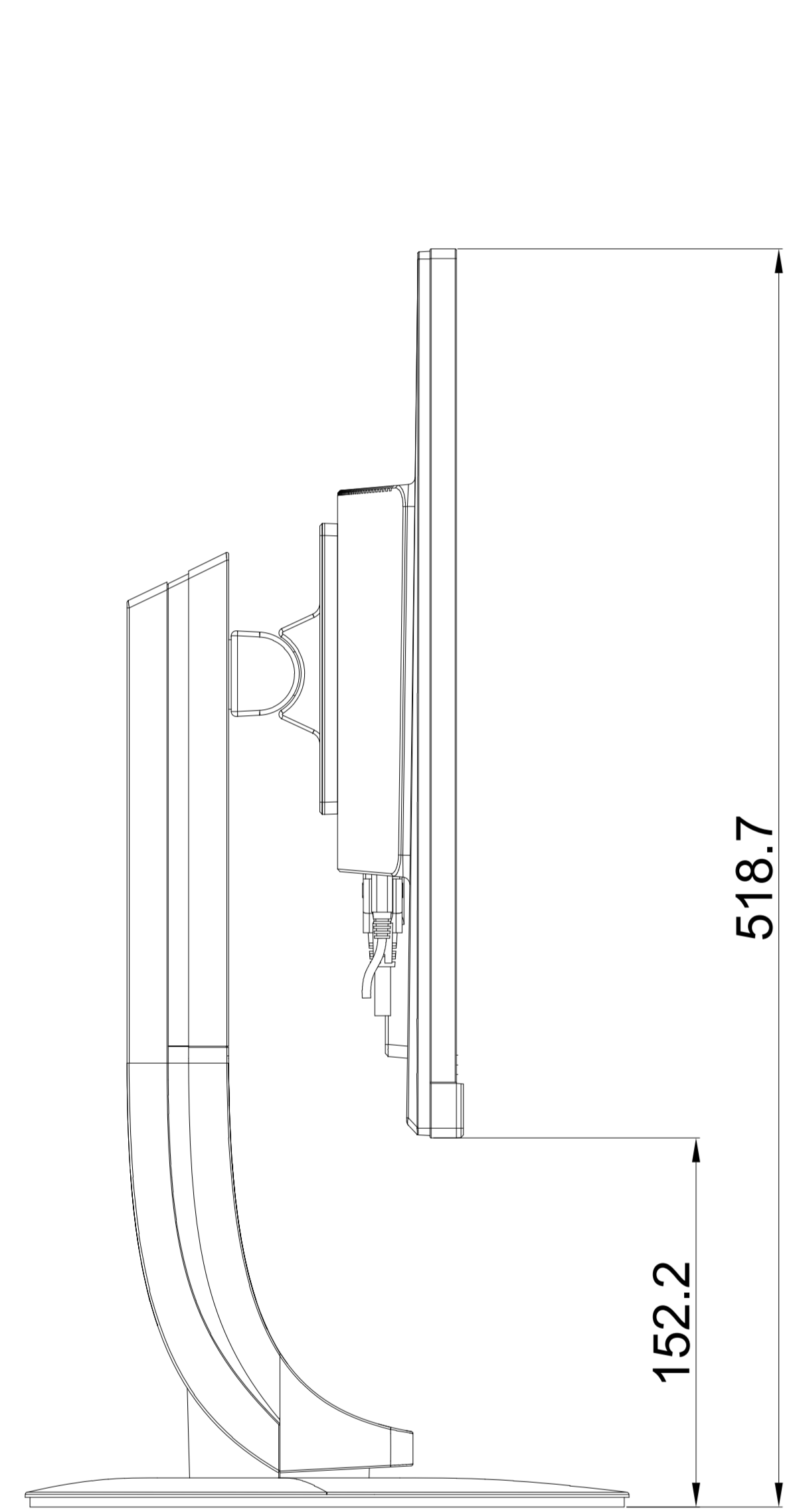
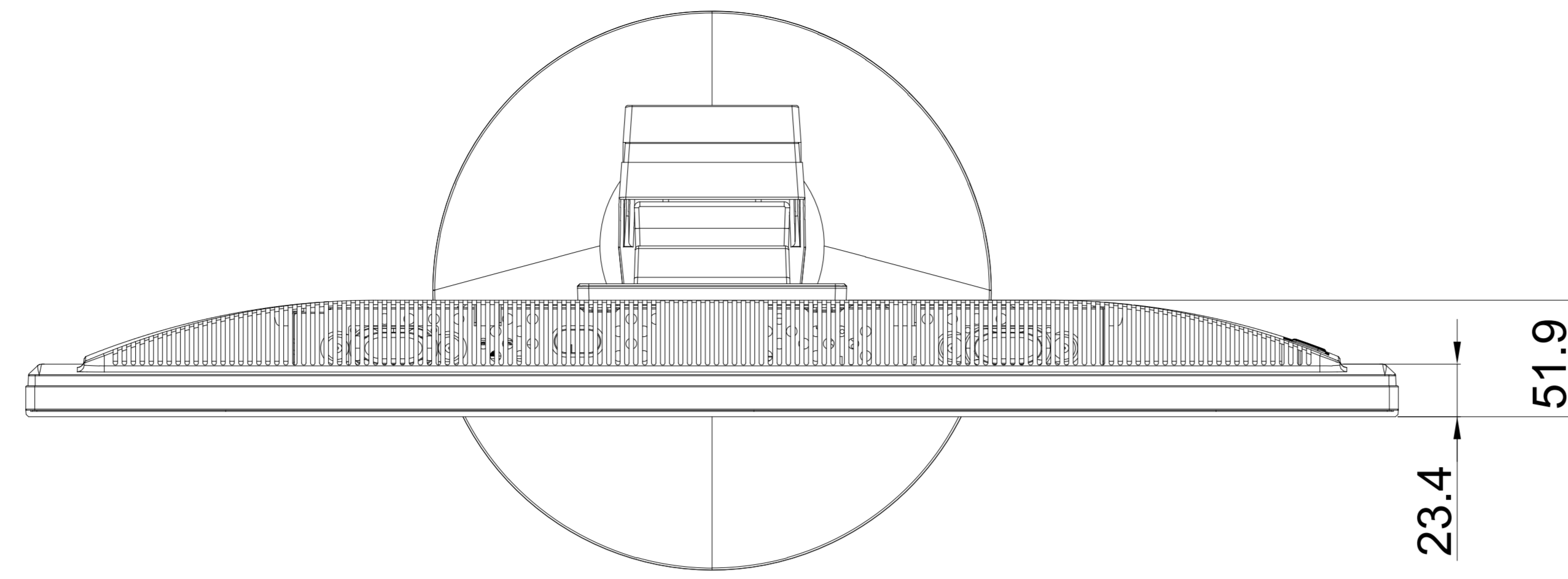


MD-27
 Net weight : 6.6kg(with stand)
 4.2kg(w/o stand)



SPECIFICATIONS SUBJECT TO CHANGE WITHOUT NOTICE.



Model Name:
MD-27

THIS DRAWING ON THIS PRINT AND INFORMATION BELONG WITH AG Neovo.
 ANY REPRODUCTION IN PART OR WHOLE WITHOUT WRITTEN PERMISSION
 OF AG Neovo IS PROHIBITED.

P/C:MD2700
 SCALE 1:1 UNITS mm V.02