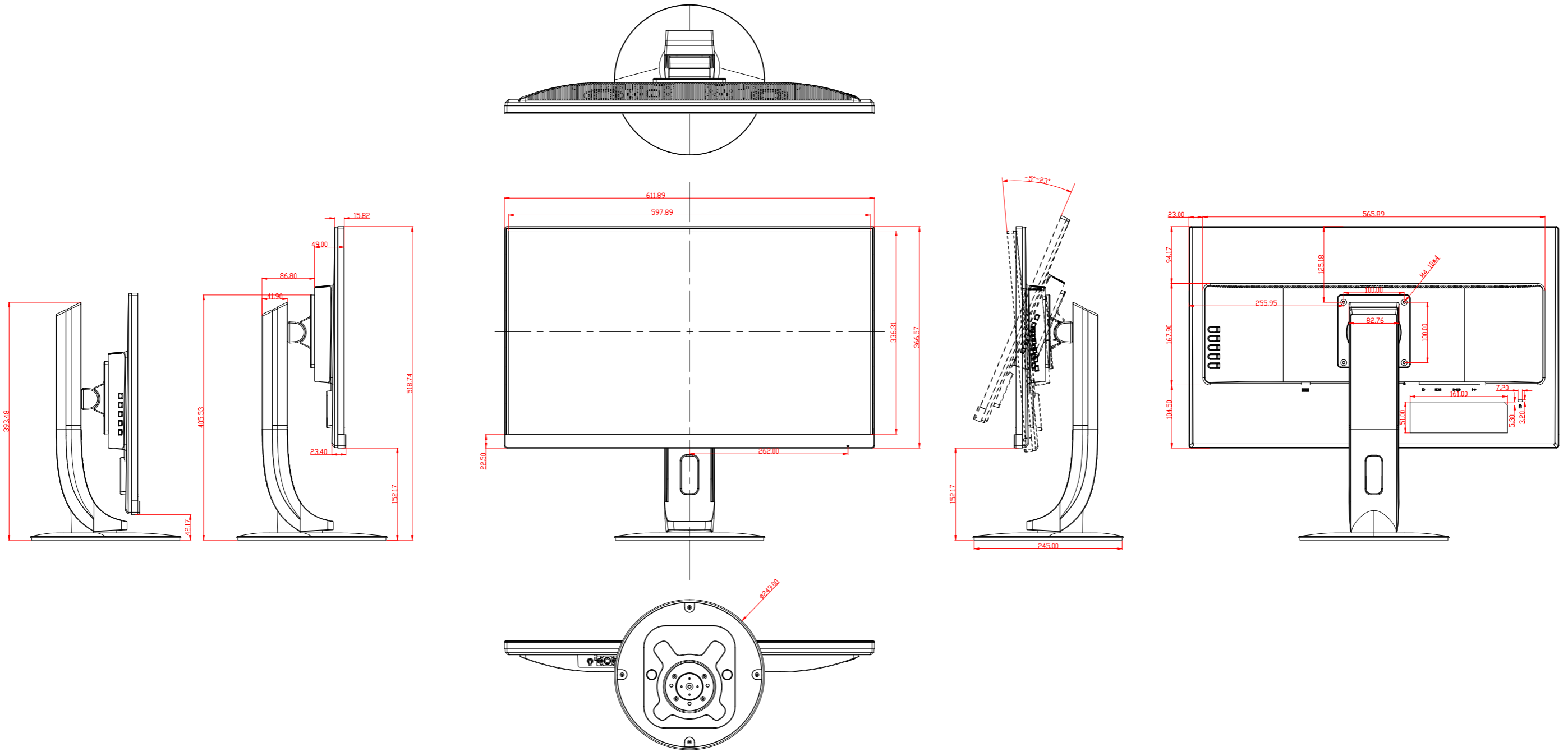



FS-27
 NET WEIGH: 6.6 KG (WITH STAND)
 4.2 KG (W/O STAND)



SPECIFICATIONS SUBJECT TO CHANGE WITHOUT NOTICE.

| | |
|---|---------------------------------------|
|  www.agneovo.com | Model Name: |
| | FS-27 |
| <small>THIS DRAWING ON THIS PRINT AND INFORMATION BELONG WITH AG Neovo. ANY REPRODUCTION IN PART OR WHOLE WITHOUT WRITTEN PERMISSION OF AG Neovo IS PROHIBITED.</small> | <small>THIRD ANGLE PROJECTION</small> |
| SCALE 1:1 | UNITS MM V.01 |