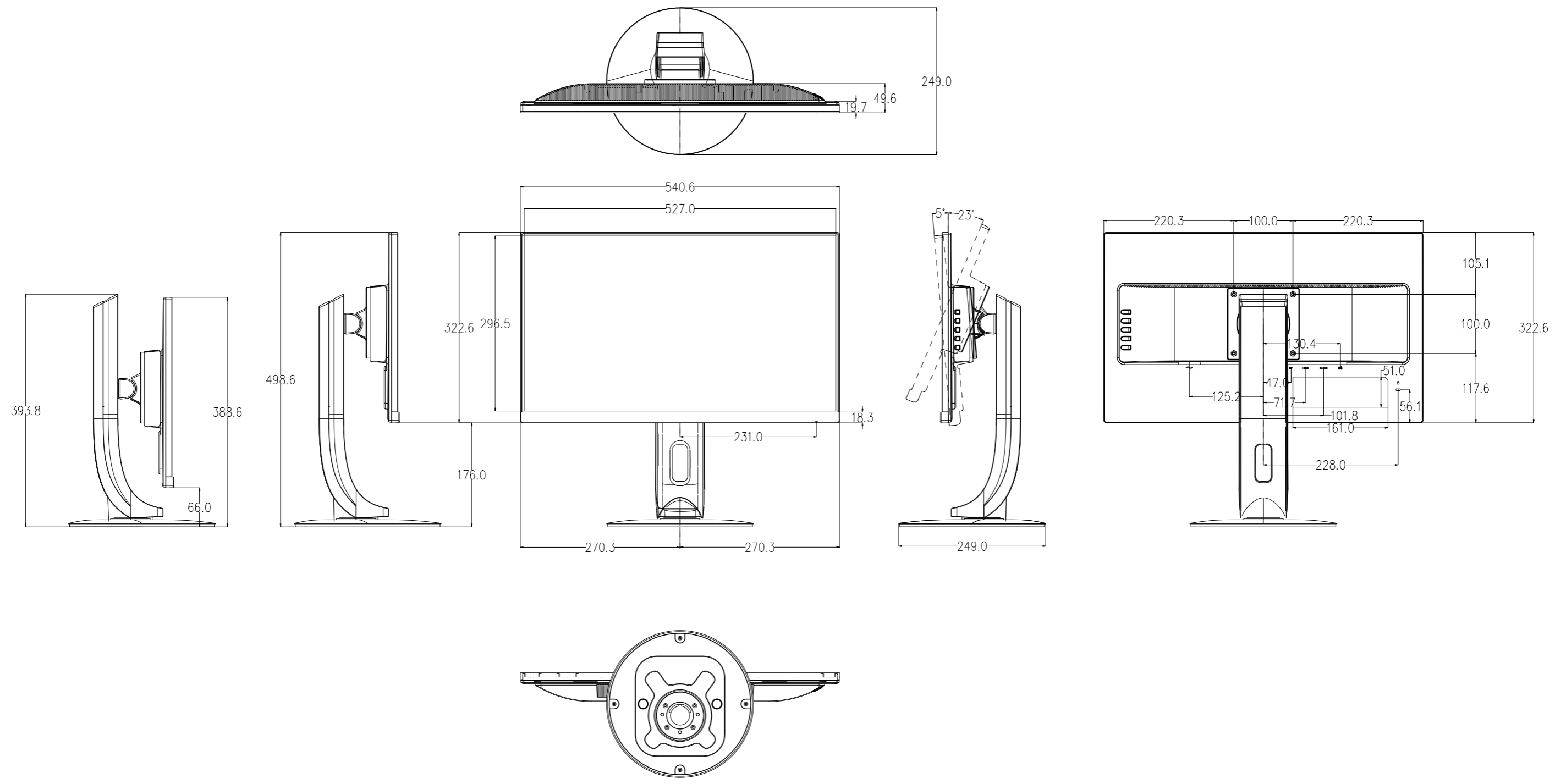


**FS-24**  
**NET WEIGH: 5.7 KG (WITH STAND)**  
**3.3 KG (W/O STAND)**



SPECIFICATIONS SUBJECT TO CHANGE WITHOUT NOTICE.

 <a href="http://www.agneovo.com">www.agneovo.com</a>	Model Name:	<b>FS-24</b>
	<small>THIS DRAWING ON THIS PRINT AND INFORMATION BELONG WITH AG Neovo. ANY REPRODUCTION IN PART OR WHOLE WITHOUT WRITTEN PERMISSION OF AG Neovo IS PROHIBITED.</small>	<small>THIRD ANGLE PROJECTION</small>